



BUILT-IN ELECTRIC SINGLE AND DOUBLE OVEN USER INSTRUCTIONS

THANK YOU for purchasing this high-quality product. Register your new oven at www.whirlpool.com. In Canada, register your oven at www.whirlpool.ca.

For future reference, please make a note of your product model and serial numbers. These can be located on the right-hand side underneath the control panel.

Model Number _____ Serial Number _____

Para una versión de estas instrucciones en español, visite www.whirlpool.com.

Deberá tener los números de modelo y serie. Pueden encontrarse del lado derecho debajo del panel de control.

Table of Contents

OVEN SAFETY	2
FEATURE GUIDE	3
OVEN USE	5
Electronic Oven Controls	5
Sabbath Mode.....	6
Aluminum Foil.....	6
Positioning Racks and Bakeware	7
Roll-Out Extension Rack.....	7
Oven Vent(s)	8
Baking and Roasting	8
Broiling.....	8
Convection Cooking	8
Proofing Bread	9
Temperature Probe.....	9
Cook Time	9
OVEN CARE	10
Self-Cleaning Cycle.....	10
General Cleaning.....	11
Oven Lights	11
PROBLEM SOLVER	12
ACCESSORIES	13
WARRANTY	14

OVEN SAFETY

Your safety and the safety of others are very important.

We have provided many important safety messages in this manual and on your appliance. Always read and obey all safety messages.



This is the safety alert symbol.

This symbol alerts you to potential hazards that can kill or hurt you and others.

All safety messages will follow the safety alert symbol and either the word "DANGER" or "WARNING."

These words mean:

⚠ DANGER

You can be killed or seriously injured if you don't immediately follow instructions.

⚠ WARNING

You can be killed or seriously injured if you don't follow instructions.

All safety messages will tell you what the potential hazard is, tell you how to reduce the chance of injury, and tell you what can happen if the instructions are not followed.

IMPORTANT SAFETY INSTRUCTIONS

WARNING: To reduce the risk of fire, electrical shock, injury to persons, or damage when using the oven, follow basic precautions, including the following:

- Proper Installation – Be sure the oven is properly installed and grounded by a qualified technician.
- Never Use the Oven for Warming or Heating the Room.
- Do Not Leave Children Alone – Children should not be left alone or unattended in area where oven is in use. They should never be allowed to sit or stand on any part of the oven.
- Wear Proper Apparel – Loose-fitting or hanging garments should never be worn while using the oven.
- User Servicing – Do not repair or replace any part of the oven unless specifically recommended in the manual. All other servicing should be referred to a qualified technician.
- Storage in Oven – Flammable materials should not be stored in an oven.
- Do Not Use Water on Grease Fires – Smother fire or flame or use dry chemical or foam-type extinguisher.
- Use Only Dry Potholders – Moist or damp potholders on hot surfaces may result in burns from steam. Do not let potholder touch hot heating elements. Do not use a towel or other bulky cloth.
- Use Care When Opening Door – Let hot air or steam escape before removing or replacing food.
- Do Not Heat Unopened Food Containers – Build-up of pressure may cause container to burst and result in injury.

- Keep Oven Vent Ducts Unobstructed.
- Placement of Oven Racks – Always place oven racks in desired location while oven is cool. If rack must be moved while oven is hot, do not let potholder contact hot heating element in oven.
- DO NOT TOUCH HEATING ELEMENTS OR INTERIOR SURFACES OF OVEN – Heating elements may be hot even though they are dark in color. Interior surfaces of an oven become hot enough to cause burns. During and after use, do not touch, or let clothing or other flammable materials contact heating elements or interior surfaces of oven until they have had sufficient time to cool. Other surfaces of the oven may become hot enough to cause burns – among these surfaces are oven vent openings and surfaces near these openings, oven doors, and windows of oven doors.

For self-cleaning ovens:

- Do Not Clean Gasket – The gasket is essential for a good seal. Care should be taken not to rub, damage, or move the gasket.
- Do Not Use Oven Cleaners – No commercial oven cleaner or oven liner protective coating of any kind should be used in or around any part of the oven.
- Clean Only Parts Listed in Manual.
- Before Self-Cleaning the Oven – Remove broiler pan and other utensils.

SAVE THESE INSTRUCTIONS

State of California Proposition 65 Warnings:

WARNING: This product contains one or more chemicals known to the State of California to cause cancer.

WARNING: This product contains one or more chemicals known to the State of California to cause birth defects or other reproductive harm.

FEATURE GUIDE

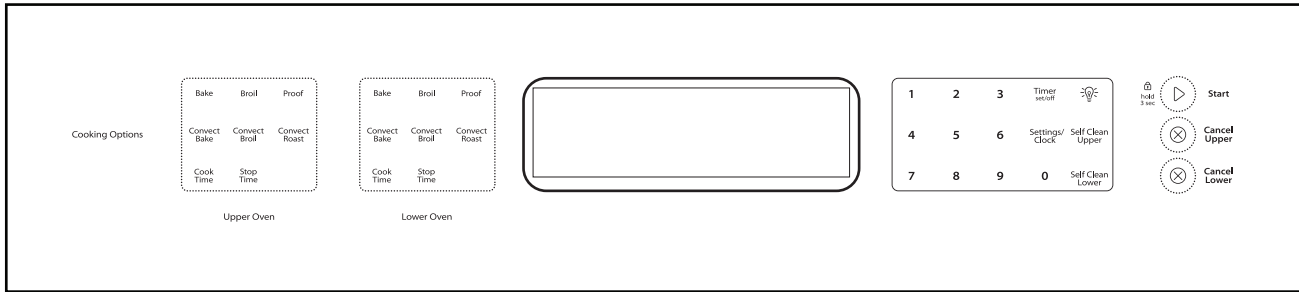
This manual covers several models. Your model may have some or all of the items listed. Refer to this manual or Frequently Asked Questions (FAQs) section of our website at www.whirlpool.com for more detailed instructions. In Canada, reference the Customer Service section at www.whirlpool.ca.


⚠ WARNING

Food Poisoning Hazard

Do not let food sit in oven more than one hour before or after cooking.

Doing so can result in food poisoning or sickness.



Keypad	Feature	Instructions
SETTINGS/CLOCK	Clock	This is a 12-hour clock. See “Electronic Oven Controls” section. <ol style="list-style-type: none"> 1. Press SETTINGS/CLOCK. 2. Press the “1” keypad. 3. Press the number keypads to set the time of day. 4. Press START.
SETTINGS/CLOCK	Oven use functions	Enables you to personalize the audible tones and oven operation to suit your needs. See the “Oven Use” section.
Oven Light 	Oven cavity light	While the oven door(s) are closed, press the Oven Light keypad to turn the lights on and off. The oven lights will come on when an oven door is opened.
TIMER SET/OFF	Oven timer	The Timer can be set in hours or minutes up to 23 hours and 59 minutes. <ol style="list-style-type: none"> 1. Press TIMER SET/OFF until the desired Timer setting is displayed. 2. Press the number keypads to set the length of time in the chosen setting (MIN/SEC or HR/MIN). 3. Press TIMER SET/OFF to begin the countdown. If enabled, timer tone(s) will sound at the end of countdown. 4. Press TIMER SET/OFF to cancel the Timer and return to the time of day. Do not press the Cancel keypad because the oven will turn off.
START	Cooking start	The Start keypad begins any oven function. If Start is not pressed within 5 minutes after pressing a keypad, the function is canceled and the time of day is displayed.
CANCEL	Oven function	The Cancel keypad stops any oven function except the Clock, Timer and Control Lock in the selected oven.
BAKE	Baking and roasting	The oven can Bake at any temperature between 170°F (77°C) and 550°F (288°C). The default temperature is 350°F (177°C). <ol style="list-style-type: none"> 1. Press BAKE for the desired oven. 2. Press the number keypads to set the desired temperature. If the temperature entered is not in the range of the temperatures allowed, the default temperature will be displayed and audible tones will sound. Enter a temperature in the allowable range. 3. Press START for the selected oven. 4. Press CANCEL for the selected oven when finished.

Keypad	Feature	Instructions
BROIL	Broiling	<p>The oven can Broil at any temperature between 450°F (232°C) and 550°F (288°C). The default temperature is 550°F (288°C).</p> <ol style="list-style-type: none"> 1. Press BROIL for the desired oven. 2. Press the number keypads to set the desired temperature. If the temperature entered is not in the range of the temperatures allowed, the default temperature will be displayed and audible tones will sound. Enter a temperature in the allowable range. 3. Press START for the selected oven. No preheating is necessary. 4. Position the cookware in the oven and close the door. 5. Press CANCEL for the selected oven when finished.
CONVECT BAKE	Convection cooking	<p>The oven can Convection Bake at any temperature between 170°F (77°C) and 550°F (288°C). The default temperature is 325°F (163°C).</p> <p>Refer to the Convection Cooking section of this manual for more information.</p> <ol style="list-style-type: none"> 1. Press CONVECT BAKE for the desired oven. Follow the on-screen prompt and use the number keypads to select if you wish to use the convection Convert Time/Temp feature. <p>If using Convert Time/Temp:</p> <ol style="list-style-type: none"> 2. Press the number keypads to set the original temperature. If the temperature entered is not in the range of the temperatures allowed, the default temperature will be displayed and audible tones will sound. Enter a temperature in the allowable range. 3. Press the number keypads to set the original cooking time. 4. Go to Step 5. <p>If not using Convert Time/Temp:</p> <ol style="list-style-type: none"> 2. Follow the on-screen prompt and use the number keypads to select if you wish to use the Rapid Preheat feature. 3. Press the number keypads to set the desired temperature. If the temperature entered is not in the range of the temperatures allowed, the default temperature will be displayed and audible tones will sound. 4. Go to Step 5. 5. Press START for the selected oven. 6. Press CANCEL for the selected oven when finished.
CONVECT ROAST	Convection cooking	<p>The oven can Convection Roast at any temperature between 170°F (77°C) and 550°F (288°C). The default temperature is 350°F (177°C).</p> <p>Refer to the Convection Cooking section of this manual for more information.</p> <ol style="list-style-type: none"> 1. Press CONVECT ROAST for the desired oven. Follow the on-screen prompt and use the number keypads to select if you wish to use the convection Convert Time/Temp feature. <p>If using Convert Time/Temp:</p> <ol style="list-style-type: none"> 2. Press the number keypads to set the original temperature. If the temperature entered is not in the range of the temperatures allowed, the default temperature will be displayed and audible tones will sound. Enter a temperature in the allowable range. 3. Press the number keypads to set the original cooking time. 4. Go to Step 5. <p>If not using Convert Time/Temp:</p> <ol style="list-style-type: none"> 2. Press the number keypads to set the desired temperature. If the temperature entered is not in the range of the temperatures allowed, the default temperature will be displayed and audible tones will sound. 3. Go to Step 5. 5. Press START for the selected oven. 6. Press CANCEL for the selected oven when finished.
CONVECT BROIL	Convection cooking	<p>The oven can Convection Broil at any temperature between 450°F (232°C) and 550°F (288°C). The default temperature is 550°F (288°C).</p> <ol style="list-style-type: none"> 1. Press CONVECT BROIL for the desired oven. 2. Press the number keypads to set the desired temperature. If the temperature entered is not in the range of the temperatures allowed, the default temperature will be displayed and audible tones will sound. Enter a temperature in the allowable range. 3. Press START for the selected oven. 4. Press CANCEL for the selected oven when finished.

Keypad	Feature	Instructions
PROOF	Proofing bread	<ol style="list-style-type: none"> 1. Press PROOF for the desired oven. 2. Press START for the selected oven. Let the dough rise until nearly doubled in size. Proofing time may vary depending on dough type and quantity. 3. Press CANCEL for the selected oven when finished proofing. Refer to the “Proofing Bread” section for more information.
STOP TIME	Delayed start	<p>The Stop Time keypad is used to enter the stop time for an oven function. Stop Time should not be used for foods such as breads and cakes because they may not bake properly.</p> <p>To set a Cook Time or a Stop Time, see the “Cook Time” section.</p>
COOK TIME	Timed cooking	<p>Cook Time allows the oven to be set to turn on at a certain time of day, cook for a set length of time, and/or shut off automatically.</p> <p>To set a Cook Time or a Stop Time, see the “Cook Time” section.</p>
SELF CLEAN	Self-clean cycle	See the “Self-Clean Cycle” section.
START hold 3 sec.	Oven control lockout	<ol style="list-style-type: none"> 1. Check that the ovens and timers are off. 2. Press and hold START for 3 seconds. 3. If enabled, a tone will sound, and “Control Locked” will be displayed. 4. Repeat to unlock. No keypads will function with the controls locked.

OVEN USE

Odors and smoke are normal when the oven is used the first few times or when it is heavily soiled.

IMPORTANT: The health of some birds is extremely sensitive to the fumes given off. Exposure to the fumes may result in death to certain birds. Always move birds to another closed and well-ventilated room.

Electronic Oven Controls

Control Display

The display will light up when first powered up or after a power loss. When oven is not in use, the time of day is displayed.

Tones

Tones are audible signals, indicating the following:

One Beep

- Valid keypad press.
- Function has been entered.

One Chime

- Oven is preheated.

Three Beeps

- Invalid keypad press.

Three Chimes

- End of cycle.

Four Chimes

- End of Timer.

Use the Settings/Clock keypad to change the tone settings.

Settings

Many features of the oven control can be adjusted to meet your personal needs. These changes are made using the Settings/Clock keypad.

Use the Settings/Clock keypad to scroll through the features that can be changed. Each press of the Settings/Clock keypad will advance the display to the next setting. You can also press SETTINGS/CLOCK, and then press the number keypad indicated in the following chart to go straight to the desired setting.

Settings Number	Setting
1	Clock
2	Temp
3	Sound (On/Off)
4	Sound (High/Low)
5	End Tone
6	Calibrate
7	Sabbath
8	Language
9	Demo Mode

After selecting the feature to be changed, the control will prompt you for the required input. Press the Settings number for the selected setting to adjust the setting. Details of all of the feature changes are explained in the following sections. Press CANCEL to exit Settings.

Fahrenheit and Celsius

The temperature is preset to Fahrenheit, but can be changed to Celsius.

1. Press SETTINGS/CLOCK.
2. Press the “2” keypad to adjust the setting.
3. Repeat to adjust the setting again.

Audible Tones Disable

Turns off all tones, including the end of cycle tone and key press tones.

1. Press SETTINGS/CLOCK.
2. Press the “3” keypad to adjust the setting.
3. Repeat to adjust the setting again.

Sound Volume

Sets the pitch of the tone to either high or low.

1. Press SETTINGS/CLOCK.
2. Press the “4” keypad to adjust the setting.
3. Repeat to adjust the setting again.

End of Cycle Tone

Activates or turns off the tones that sound at the end of a cycle.

1. Press SETTINGS/CLOCK.
2. Press the “5” keypad to adjust the setting.
3. Repeat to adjust the setting again.

Oven Temperature Offset Control

IMPORTANT: Do not use a thermometer to measure oven temperature. Elements will cycle on and off as needed to provide consistent temperature, but they may run slightly hot or cool at any point in time due to this cycling. Most thermometers are slow to react to temperature change and will not provide an accurate reading due to this cycling.

The oven provides accurate temperatures; however, it may cook faster or slower than your previous oven, so the temperature can be adjusted to personalize it for your cooking needs. It can be changed to Fahrenheit or Celsius.

To Adjust Oven Temperature:

1. Press SETTINGS/CLOCK.
2. Press the “6” keypad.
3. For double ovens only: Press the “1” keypad to select the upper oven or the “2” keypad to select the lower oven.
4. Press the “3” keypad to increase the temperature, or press the “6” keypad to decrease the temperature. The range is from -30°F to +30°F (-18°C to +18°C).
5. Press START.

Languages - Scrolling Display Text

Language options are English and French.

1. Press SETTINGS/CLOCK.
2. Press the “8” keypad to adjust the setting.
3. Repeat to adjust the setting again.

Demo Mode

IMPORTANT: This feature is intended for use on the sales floor with 120V power connection and permits the control features to be demonstrated without heating elements turning on. If this feature is activated, the oven will not work.

1. Press SETTINGS/CLOCK.
2. Press the “9” keypad to adjust the setting.
3. Repeat to adjust the setting again.

Sabbath Mode

The Sabbath Mode sets the oven to remain on in a bake setting until turned off. A timed Sabbath Mode can also be set to keep the oven on for only part of the Sabbath.

When the Sabbath Mode is set, only the Bake cycle will operate. All other cooking and cleaning cycles are disabled. No tones will sound, and the displays will not indicate temperature changes.

When the oven door is opened or closed, the oven light will not turn on or off, and the heating elements will not turn on or off immediately.

The oven can bake at any temperature between 170°F (77°C) and 550°F (288°C). The default temperature is 350°F (177°C).

To Enable Sabbath Mode Capability (One Time Only):

1. Press SETTINGS/CLOCK.
 2. Press the “7” keypad to adjust the setting.
- NOTE:** To disable the Sabbath Mode, repeat steps 1 and 2.

To Activate Sabbath Mode:

1. Press BAKE for the desired oven.
2. Press the number keypads to set the desired temperature. If the temperature entered is not in the range of the temperatures allowed, the default temperature will be displayed and audible tones will sound. Enter a temperature in the allowable range.
3. Press START for the selected oven.
For timed cooking in Sabbath Mode, press COOK TIME, and then press the number keypads to set the desired cook time. Press START for the selected oven.
4. (Optional) If Sabbath Mode is to be used for both ovens, repeat steps 1 through 3 for the second oven.
5. Press SETTINGS/CLOCK. One tone will sound. Then press “7.” “SAB” will appear in the display.

To Adjust Temperature:

1. Press the number keypad as instructed by the scrolling text to select the new temperature.

NOTE: The temperature adjustment will not appear on the display, and no tones will sound. The scrolling text will be shown on the display as it was before the keypad was pressed.

2. Press START.

NOTE: If Sabbath Mode is running in both ovens, changing the temperature will change both ovens to the same temperature.

To Deactivate Sabbath Mode:

Press SETTINGS/CLOCK, and then press “7” to return to regular baking, or press CANCEL for the desired oven to turn off the oven(s).

Aluminum Foil

IMPORTANT: To avoid permanent damage to the oven bottom finish, do not line the oven bottom with any type of foil or liner.

For best cooking results, do not cover entire oven rack with foil because air must be able to move freely.

Positioning Racks and Bakeware

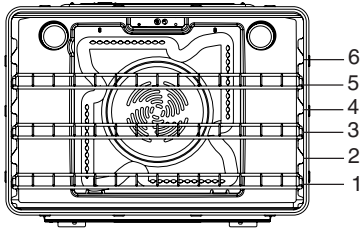
IMPORTANT: To avoid permanent damage to the porcelain finish, do not place food or bakeware directly on the oven door or bottom.

Racks

- Position racks before turning on the oven.
- Do not position racks with bakeware on them.
- Make sure racks are level.
- Place food so it will not rise into the broil element. Allow at least 1/2" (1.3 cm) between pans and the broil element.

To move a rack, pull it out to the stop position, raise the front edge, and then lift it out. Use the following illustrations and charts as a guide for positioning racks.

Rack Positions



Broiling

Food	Rack Position
Most broiling	6

For hamburger patties to have a well-seared exterior and a rare interior, use a flat rack in position 6. Side 1 should cook for approximately 3 minutes. Side 2 should cook for approximately 3 to 4 minutes. Expect a moderate degree of smoke when broiling.

Traditional Cooking

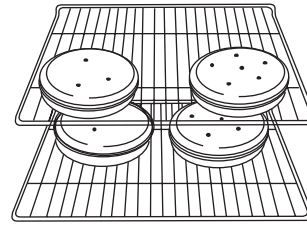
Food	Rack Position
Large roasts, turkeys, angel food, bundt cakes, quick breads, pies	1 or 2
Yeast breads, casseroles, meat and poultry	2
Cookies, biscuits, muffins, cakes	2 or 3 when single-rack baking; 2 and 5 when multi-rack baking.

Convection Cooking

Oven Setting	Number of Racks Used	Rack Position(s)
Rapid Preheat Bake	1	3
Rapid Preheat Convection Bake	1	3
Convection Bake	1	1, 2 or 3
Convection Bake	2	2 and 5
Convection Bake	3	1, 3 and 5
Convection Roast	1	1 or 2
Convection Broil	1	4, 5 or 6

Baking Layer Cakes on 2 Racks

For best results when baking cakes on 2 racks, use rack positions 2 and 5 with the Bake function. Place the cakes on the racks as shown. Keep at least 2" (5.0 cm) of space between the front of the racks and the front of the cakes.



Baking Cookies on 2 Racks

For best results when baking cookies on 2 racks, use rack positions 2 and 5 with the Convection Bake function.

Bakeware

To cook food evenly, hot air must be able to circulate. Allow 2" (5.0 cm) of space around bakeware and oven walls. Use the following chart as a guide.

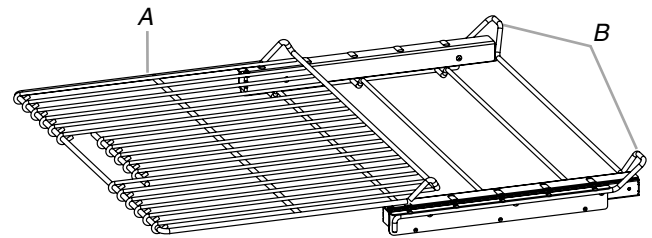
Number of Pan(s)	Position on Rack
1	Center of rack.
2	Side by side or slightly staggered.
3 or 4	Refer to the previous illustration.

NOTE: Bakeware materials and color may affect results. Dark, dull, non-stick or glass pans may require shorter baking times, in contrast insulated or stainless steel pans may require longer baking times. Follow bakeware manufacturer's recommendations.

Roll-Out Extension Rack

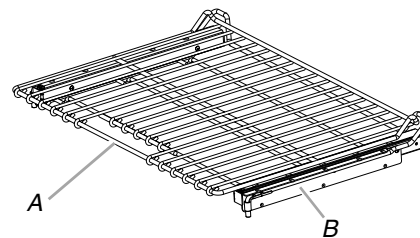
The roll-out extension rack allows easy access to position and remove food in the oven. It can be used in rack positions 1 through 6.

Open Position



A. Roll-out extension rack
B. Sliding shelf

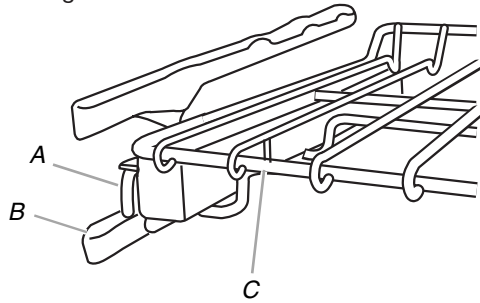
Closed and Engaged Position



A. Roll-out extension rack
B. Sliding shelf

To Insert Roll-Out Extension Rack:

1. Slide the rack in completely so that it is closed and engaged with the sliding shelf.
2. Using 2 hands, lift up on the front edge of the rack and push the sliding shelf to the back wall of the oven so that the front edge of the sliding shelf sits on the rack guides. The front edge of the rack and the sliding shelf should be higher than the back edge.



A. Sliding shelf
B. Rack guide
C. Roll-out extension rack

3. Pull the rack and the sliding shelf out.

To Remove Roll-Out Extension Rack:

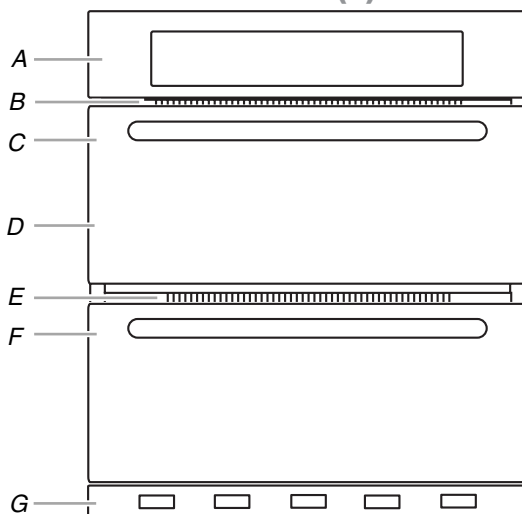
1. Using 2 hands, grasp the front of the closed rack and the sliding shelf. Place the closed rack and the sliding shelf on the rack guide.
2. Using 2 hands, lift up on the front edge of the rack and the sliding shelf together.
3. Slowly push the rack and the sliding shelf to the back of the oven until the back edge of the rack pulls over the end of the rack guide.

To avoid damage to the sliding shelves, do not place more than 25 lbs (11.4 kg) on the rack.

Do not clean the roll-out extension rack in a dishwasher. It may remove the rack's lubricant and affect its ability to slide.

See the "General Cleaning" section for more information.

Oven Vent(s)



Single and Double Oven	Double Oven
A. Control panel	D. Upper oven
B. Oven vent	E. Oven vent
C. Single oven or upper double oven	F. Lower oven
G. Bottom vent	G. Bottom vent

The oven vent(s) should not be blocked or covered since they allow the inlet of fresh air into the cooling system. Also, the bottom vent should not be blocked or covered since it allows the inlet of fresh air into the cooling system and the outlet of hot air from the cooling system. Blocking or covering vents will cause poor air circulation, affecting cooking, cleaning and cooling results.

Baking and Roasting

Preheating

When beginning a Bake, Convection Bake or Convection Roast cycle, the oven will begin preheating after Start is pressed. The oven will take approximately 12 to 17 minutes to reach 350°F (177°C) with all of the oven racks provided with your oven inside the oven cavity. Higher temperatures will take longer to preheat. The preheat cycle rapidly increases the oven temperature. The actual oven temperature will go above your set temperature to offset the heat lost when your oven door is opened to insert food. This ensures that when you place your food in the oven, the oven will begin at the proper temperature. Insert your food when the preheat tone sounds. Do not open the door during preheat before the tone sounds.

Oven Temperature

While in use, the oven elements will cycle on and off as needed to maintain a consistent temperature, but they may run slightly hot or cool at any point in time due to this cycling. Opening the oven door while in use will release the hot air and cool the oven which could impact the cooking time and performance. It is recommended to use the oven light to monitor cooking progress.

NOTE: On models with convection, the convection fan may run in the non-convection bake mode to improve oven performance.

Before baking and roasting, position racks according to the "Positioning Racks and Bakeware" section. When roasting, it is not necessary to wait for the oven preheat cycle to end before putting food in unless it is recommended in the recipe.

Broiling

When broiling, no preheating is necessary unless recommended otherwise in the recipe. Position food on grid in a broiler pan, and then place it in the center of the oven rack. Close the oven door to ensure proper broiling temperature.

NOTE: Odors and smoke are normal the first few times the oven is used or if the oven is heavily soiled.

Changing the temperature when broiling allows more precise control when cooking. The lower the broil setting, the slower the cooking. Thicker cuts and unevenly shaped pieces of meat, fish and poultry may cook better at lower broil settings. Place the food in the upper or lower oven. Refer to the "Positioning Racks and Bakeware" section for more information.

On lower settings, the broil element will cycle on and off to maintain the proper temperature.

- For best results, use a broiler pan and grid. It is designed to drain juices and help avoid spatter and smoke.

If you would like to purchase a broiler pan, one may be ordered. Please refer to the "Accessories" section for more information.

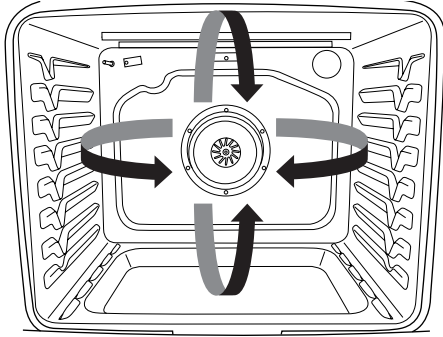
Convection Cooking

In a convection oven, the fan-circulated hot air continually distributes heat more evenly than the natural movement of air in a standard thermal oven. This movement of hot air helps maintain a consistent temperature throughout the oven, cooking foods more evenly, crisping surfaces while sealing in moisture and yielding crustier breads.

During convection cooking, the bake, broil and convection (true convection only) elements cycle on and off in intervals to maintain the oven temperature, while the fan circulates the hot air.

If the oven door is opened during convection cooking, the fan will turn off immediately. It will come back on when the oven door is closed.

NOTE: The oven door must be closed for convection broiling.



Position the racks according to the “Positioning Racks and Bakeware” section before starting convection cooking.

With convection cooking, most foods can be cooked at a lower temperature for a shorter length of time. These adjustments can be made using the following chart.

Setting	Guidelines
CONVECT BAKE	Reduce the standard baking temperature 25°F (15°C).
CONVECT ROAST	Use standard recipe temperature. Cooking time may be reduced by 15% to 30% with Convection Roast so the food should be checked for doneness early.
CONVECT BROIL	Use standard recipe temperature. Cooking time may be reduced so the food should be checked for doneness early.

Convert Time/Temp

Convection temperatures and times differ from those of standard cooking. The Convert Time/Temp convection feature is a function that converts a standard thermal bake or roast cook time and temperature into an ideal cook time and temperature for convection cooking. The displayed time and temperature will be the converted for convection values.

Proofing Bread

Proofing bread prepares the dough for baking by activating the yeast. Follow the recipe directions as a guide.

To Proof:

Before first proofing, place the dough in a lightly greased bowl and cover loosely with wax paper, coated with shortening. Place in position 2, and then close the oven door.

1. Press PROOF for the desired oven.
2. Press START for the selected oven.

Let the dough rise until nearly doubled in size. Proofing time may vary depending on dough type and quantity.

3. Press CANCEL for the selected oven when finished proofing.

Before second proofing, shape the dough, place it in baking pan(s) and then cover loosely. Follow the same placement and control steps above. Before baking, remove the cover.

NOTE: If the oven temperature is greater than 110°F (43°C), the display will indicate “Oven Cooling” until the temperature is below 110°F (43°C). Poor results may occur if dough is placed in an oven above 110°F (43°C).

Temperature Probe

The temperature probe accurately measures the internal temperature of meat, poultry and casseroles with liquid and should be used in determining the doneness of meat and poultry. The temperature probe should only be used with Bake, Convection Bake or Convection Roast.

Always unplug and remove the temperature probe from the oven when removing food.

To Use

Before using, insert the probe into the food item. For meats, the probe tip should be located in the center of the thickest part of the meat and not into the fat or touching a bone. Place food in oven and connect the temperature probe to the jack. Keep probe as far away from heat source as possible. Close oven door.

NOTE: The temperature probe must be inserted into the food item before the mode is selected. Refer to the “Feature Guide” section for allowable and default temperatures referenced in this section.

1. Press the number keypads to enter the probe temperature. The probe temperature is the desired internal temperature of the food when it is done.
2. Press BAKE, CONVECT BAKE or CONVECT ROAST for the desired oven.
3. Press the number keypads to set the desired temperature. If the temperature entered is not in the range of the temperatures allowed, the default temperature will be displayed and audible tones will sound. Enter a temperature in the allowable range.
4. Press START for the selected oven.
5. Touch CANCEL for the selected oven when finished.

To change the probe temperature while in use, press BAKE, CONVECT BAKE or CONVECT ROAST for the desired oven, and then repeat steps 1 through 4.

Cook Time

! WARNING

Food Poisoning Hazard

Do not let food sit in oven more than one hour before or after cooking.

Doing so can result in food poisoning or sickness.

Refer to the “Feature Guide” section for allowable and default temperatures referenced in this section.

To Set a Cook Time:

1. Press the keypad for any cooking function.
2. Press the number keypads to set the desired temperature. If the temperature entered is not in the range of the temperatures allowed, the default temperature will be displayed and audible tones will sound. Enter a temperature in the allowable range.
3. Press COOK TIME for the selected oven.
4. Press the number keypads to enter the length of time to cook.
5. Press START. The timer will begin counting down the set time once the oven has finished preheating.
6. Press CANCEL for the selected oven to clear the display.

To Set a Cook Time and Stop Time:

NOTE: This function is not available in Convection Bake and Convection Roast if the Convection Convert Time/Temp feature is used.

1. Press the keypad for any cooking function
2. Press the number keypads to set the desired temperature. If the temperature entered is not in the range of the temperatures allowed, the default temperature will be displayed and audible tones will sound. Enter a temperature in the allowable range.
3. Press COOK TIME for the selected oven.

4. Press the number keypads to enter the length of time to cook.
5. Press STOP TIME for the selected oven.
6. Press the number keypads to enter the time of day to stop cooking.
7. Press START.
The start time is automatically calculated. When the start time is reached, the oven will automatically turn on.
When the stop time is reached, the oven will shut off automatically.
8. Press CANCEL for the selected oven to clear the display.

OVEN CARE

Self-Cleaning Cycle

⚠ WARNING



Burn Hazard

Do not touch the oven during the Self-Cleaning cycle.

Keep children away from oven during Self-Cleaning cycle.

Failure to follow these instructions can result in burns.

IMPORTANT: The health of some birds is extremely sensitive to the fumes given off during the Self-Cleaning cycle. Exposure to the fumes may result in death to certain birds. Always move birds to another closed and well-ventilated room.

Keep the kitchen well-ventilated during the Self-Cleaning cycle to help get rid of heat, odors and smoke.

Do not block the oven vent(s) during the Self-Cleaning cycle. Air must be able to move freely. Depending on your model, see "Oven Vent" or "Oven Vents" section.

Do not clean, rub, damage or move the oven door gasket.

Prepare Oven:

- Remove the broiler pan, grid, cookware and bakeware, all cooking utensils, oven racks and aluminum foil and, on some models, the temperature probe from the oven.
- Use a damp cloth to clean inside door edge and the 1 1/2" (38 mm) area around the inside oven cavity frame, being certain not to move or bend the gasket.
- Wipe out any loose soil to reduce smoke and avoid damage. At high temperatures, foods react with porcelain. Staining, etching, pitting or faint white spots can result. This will not affect cooking performance.

IMPORTANT:

- For double ovens only: Only 1 oven can be cleaned at a time.

How the Cycle Works

IMPORTANT: The heating and cooling of porcelain on steel in the oven may result in discoloring, loss of gloss, hairline cracks and popping sounds.

The Self-Cleaning cycle uses very high temperatures, burning soil to a powdery ash.

Once the oven has completely cooled, remove ash with a damp cloth. To avoid breaking the glass, do not apply a cool damp cloth to the inner door glass before it has completely cooled.

The oven light will not work during the Self-Cleaning cycle.

To stop the Self-Cleaning cycle at anytime, press CANCEL for the selected oven. If the temperature is too high, the oven door will remain locked.

Before self-cleaning, make sure the door is completely closed or the door will not lock and the Self-Cleaning cycle will not begin.

NOTE: 12 hours must pass before the next Self-Clean can begin, and for double ovens only: only one oven can use the Self-Clean cycle at a time

The oven is preset for a 4 hours and 30 minutes clean cycle; however, the time can be changed. Suggested clean times are 3 hours and 30 minutes for light soil and between 4 hours and 30 minutes and 5 hours and 30 minutes for average to heavy soil.

Use the following chart as a guide to determine the desired cleaning level.

Cleaning Level	Total Cleaning Time (Includes a 30 Minute Cool Down Time)
1 (Quick)	3 hours 30 minutes
2 (Reg)	4 hours 30 minutes
3 (Maxi)	5 hours 30 minutes

To Self-Clean:

1. Close the oven door, and then press SELF CLEAN for the desired oven until the desired clean time is displayed.
2. Press START.
The oven door will automatically lock.
When the Self-Clean cycle is complete and the oven cools, the oven door will unlock.
3. Press CANCEL for the selected oven.
4. When the oven is completely cooled, remove ash with a damp cloth.

To Delay Start Self-Clean:

1. Close the oven door, and then press SELF CLEAN for the desired oven until the desired clean time is displayed.
2. Press STOP TIME.
3. Press the number keypads to enter the stop time.
4. Press START.
The start and stop times are automatically calculated.
The oven door will automatically lock when the start time is reached.
When the Self-Clean cycle is complete and the oven cools, the oven door will unlock.
5. Press CANCEL for the selected oven.
6. When the oven is completely cooled, remove ash with a damp cloth.

General Cleaning

IMPORTANT: Before cleaning, make sure all controls are off and the oven is cool. Always follow label instructions on cleaning products. For additional information, you can visit the Frequently Asked Questions (FAQs) section of our website at www.whirlpool.com. In Canada, refer to the Customer Service section at www.whirlpool.ca.

Soap, water and a soft cloth or sponge are suggested first unless otherwise noted.

EXTERIOR PORCELAIN ENAMEL SURFACES

(on some models)

Food spills containing acids, such as vinegar and tomato, should be cleaned as soon as the entire oven is cool. These spills may affect the finish.

Cleaning Method:

- Glass cleaner, mild liquid cleaner or nonabrasive scrubbing pad:
Gently clean around the model/serial/rating plate because scrubbing may remove numbers.
- affresh® Kitchen and Appliance Cleaner Part Number W10355010 (not included):
See the “Accessories” section for more information.

STAINLESS STEEL (on some models)

NOTE: To avoid damage to stainless steel surfaces, do not use soap-filled scouring pads, abrasive cleaners, steel-wool pads, gritty washcloths or abrasive paper towels. Damage may occur to stainless steel surfaces, even with one-time or limited use.

Cleaning Method:

Rub in direction of grain to avoid damaging.

- affresh® Stainless Steel Cleaner Part Number W10355016:
See the “Accessories” section for more information.

METALLIC PAINT (on some models)

Do not use abrasive cleaners, cleaners with bleach, rust removers, ammonia or sodium hydroxide (lye) because paint surface may stain.

CONTROL PANEL AND OVEN DOOR EXTERIOR

To avoid damage to the control panel, do not use abrasive cleaners, steel-wool pads, gritty washcloths or abrasive paper towels.

Cleaning Method:

- Glass cleaner and soft cloth or sponge:
Apply glass cleaner to soft cloth or sponge, not directly on panel.
- affresh® Kitchen and Appliance Cleaner Part Number W10355010 (not included):
See the “Accessories” section for more information.

OVEN RACKS

Cleaning Method:

- Steel-wool pad.
- For racks that have discolored and are harder to slide, a light coating of vegetable oil applied to the rack guides will help them slide.

OVEN CAVITY

Do not use oven cleaners.

Food spills should be cleaned after the oven cools. At high temperatures, foods react with porcelain and staining, etching, pitting or faint white spots can result.

Cleaning Method:

- Self-Cleaning cycle:
See “Self-Cleaning Cycle” first.

Oven Lights

The oven lights are 120-volt, 40-watt maximum halogen bulbs. Before replacing, make sure the oven is cool and the controls are turned Off.

To Replace:

1. Disconnect power.
2. Remove glass light cover by grasping the front edge and pulling away from oven.
3. Remove bulb from socket.
4. Replace bulb, using tissue or wearing cotton gloves to handle bulb. To avoid damage to or decreasing the life of the new bulb, do not touch bulb with bare fingers.
5. Replace bulb cover by snapping back into wall.
6. Reconnect power.

PROBLEM SOLVER

First try the solutions suggested here. If you need further assistance or more recommendations that may help you avoid a service call, refer to the warranty page in this manual and scan the code there with your mobile device, or visit http://www.whirlpool.com/product_help. In Canada, visit <http://www.whirlpool.ca>.

Contact us by mail with any questions or concerns at the address below:

In the U.S.A.:

Whirlpool Brand Home Appliances
Customer eXperience Center
553 Benson Road
Benton Harbor, MI 49022-2692

In Canada:

Whirlpool Brand Home Appliances
Customer eXperience Centre
200 - 6750 Century Ave.
Mississauga, Ontario L5N 0B7

Please include a daytime phone number in your correspondence.

Problem	Possible Causes and/or Solutions
Nothing will operate	Oven isn't wired properly - See the Installation Instructions. Household fuse is blown, or a circuit breaker is tripped - Replace the fuse or reset the circuit breaker. If the problem continues, call an electrician.
Oven will not operate	Delay Start is set - See the "Cook Time" section Control Lock is on - Press and hold START for 3 seconds to unlock. Electronic oven control set incorrectly - See the "Electronic Oven Controls" section. Sabbath Mode is set - See the "Sabbath Mode" section. On double oven models, one oven is self-cleaning - When one oven is self-cleaning, the other oven cannot be set or turned on.
Oven temperature too high or too low	Oven temperature needs adjustment - See "Oven Temperature Control" in the "Electronic Oven Controls" section.
Display shows messages	Power failure (display shows flashing time) - Press CANCEL to clear the display. On some models, reset the clock if needed. See the "Settings/Clock" keypad feature in the "Feature Guide" section. Error code (display shows letter followed by number) - Press CANCEL to clear the display. See "Control Display" in the "Electronic Oven Controls" section. If it reappears, call for service. See the "Warranty" section for contact information.
Clean cycle did not work on all spills	Several cooking cycles between Clean cycles or spills on oven walls and doors - Run additional Clean cycles. The affresh® Kitchen and Appliance Cleaner can be used for stubborn soils. See the "Accessories" and "Self-Cleaning Cycle" sections for more information.
Warm air coming from oven vent	Warm air coming from the oven vent is normal. During a self-clean cycle, the air stream is increased. The cooling fan may operate both during an oven's cycle and after the cycle has ended, causing warm air to exit from the oven vent.
Convection fan runs during Bake function	It is normal for the convection fan and element to operate during Bake mode to enhance performance and heat distribution.
Long preheat times	Not all cycles require preheating. See cycle instructions for preheat recommendations. Most cycles preheat to 350°F (177°C) in 12 to 17 minutes. Higher temperatures will take more time. Removing unused oven racks prior to preheating can help reduce preheat time.
Self-Cleaning cycle will not operate	The oven door is open - Close the oven door all the way. The function has not been entered - See the "Self-Cleaning Cycle" section. A Timed Self-Clean cycle has been set - See the "Self-Cleaning Cycle" section. A Cook Time has been set - See the "Cook Time" section. On double oven models, one oven is self-cleaning - When one oven is self-cleaning, the other oven cannot be set to self-clean.

Problem	Possible Causes and/or Solutions
Oven cooking results not what expected	<p>The set temperature was incorrect - Double-check the recipe in a reliable cookbook.</p> <p>Oven temperature needs adjustment - See “Oven Temperature Control” in the “Electronic Oven Controls” section.</p> <p>Oven was not preheated - See the “Baking and Roasting” section.</p> <p>Racks were positioned improperly - See the “Positioning Racks and Bakeware” section.</p> <p>Not enough air circulation around bakeware - See the “Positioning Racks and Bakeware” section.</p> <p>Batter distributed unevenly in pan - Check that batter is level in the pan.</p> <p>Darker browning of food caused by dull or dark bakeware - Lower the oven temperature 25°F (15°C) or move rack to a higher position in the oven.</p> <p>Lighter browning of food caused by shiny or light colored bakeware - Move rack to a lower position in the oven.</p> <p>Incorrect length of cooking time was used - Adjust cooking time.</p> <p>Oven door was not closed - Be sure that the bakeware does not keep the door from closing.</p> <p>Oven door was opened during cooking - Oven peeking releases oven heat and can result in longer cooking times.</p> <p>Rack is too close to bake burner, making baked items too brown on bottom - Move rack to higher position in the oven.</p> <p>Pie crusts browning too quickly - Use aluminum foil to cover the edge of the crust and/or reduce baking temperature.</p>

ACCESSORIES

For accessories in the U.S.A., you can visit our website at www.whirlpool.com or call us at **1-800-253-1301**.

In Canada, visit our website at www.whirlpool.ca or call us at **1-800-807-6777**.

affresh® Stainless Steel Cleaning Wipes

(stainless steel models)
Order Part Number W10355049

affresh® Stainless Steel Cleaner

(stainless steel models)
Order Part Number W10355016

affresh® Kitchen and Appliance Cleaner

Order Part Number W10355010

Premium Broiler Pan and Roasting Rack

Order Part Number W10123240

Porcelain Broiler Pan and Grid

Order Part Number 4396923

Standard Flat Oven Rack

Order Part Number W10317430

Roll-Out Extension Rack

Order Part Number W10745649

WHIRLPOOL® MAJOR APPLIANCE LIMITED WARRANTY

ATTACH YOUR RECEIPT HERE. PROOF OF PURCHASE IS REQUIRED TO OBTAIN WARRANTY SERVICE.

Please have the following information available when you call the Customer eXperience Center:

- Name, address and telephone number
- Model number and serial number
- A clear, detailed description of the problem
- Proof of purchase including dealer or retailer name and address

IF YOU NEED SERVICE:

1. Before contacting us to arrange service, please determine whether your product requires repair. Some questions can be addressed without service. Please take a few minutes to review the Troubleshooting or Problem Solver section of the Use and Care Guide, scan the QR code on the right to access additional resources, or visit www.whirlpool.com/product_help.
2. All warranty service is provided exclusively by our authorized Whirlpool Service Providers. In the U.S. and Canada, direct all requests for warranty service to:

Whirlpool Customer eXperience Center

In the U.S.A., call 1-800-253-1301. In Canada, call 1-800-807-6777.

If outside the 50 United States or Canada, contact your authorized Whirlpool dealer to determine whether another warranty applies.



www.whirlpool.com/product_help

ONE YEAR LIMITED WARRANTY

WHAT IS COVERED

For one year from the date of purchase, when this major appliance is installed, operated and maintained according to instructions attached to or furnished with the product, Whirlpool Corporation or Whirlpool Canada LP (hereafter "Whirlpool") will pay for Factory Specified Replacement Parts and repair labor to correct defects in materials or workmanship that existed when this major appliance was purchased, or at its sole discretion replace the product. In the event of product replacement, your appliance will be warranted for the remaining term of the original unit's warranty period.

YOUR SOLE AND EXCLUSIVE REMEDY UNDER THIS LIMITED WARRANTY SHALL BE PRODUCT REPAIR AS PROVIDED HEREIN. Service must be provided by a Whirlpool designated service company. This limited warranty is valid only in the United States or Canada and applies only when the major appliance is used in the country in which it was purchased. This limited warranty is effective from the date of original consumer purchase. Proof of original purchase date is required to obtain service under this limited warranty.

WHAT IS NOT COVERED

1. Commercial, non-residential, multiple-family use, or use inconsistent with published user, operator or installation instructions.
2. In-home instruction on how to use your product.
3. Service to correct improper product maintenance or installation, installation not in accordance with electrical or plumbing codes or correction of household electrical or plumbing (i.e. house wiring, fuses or water inlet hoses).
4. Consumable parts (i.e. light bulbs, batteries, air or water filters, preservation solutions, etc.).
5. Defects or damage caused by the use of non-genuine Whirlpool parts or accessories.
6. Conversion of products from natural gas or L.P. gas.
7. Damage from accident, misuse, abuse, fire, floods, acts of God or use with products not approved by Whirlpool.
8. Repairs to parts or systems to correct product damage or defects caused by unauthorized service, alteration or modification of the appliance.
9. Cosmetic damage including scratches, dents, chips, and other damage to the appliance finishes unless such damage results from defects in materials and workmanship and is reported to Whirlpool within 30 days.
10. Discoloration, rust or oxidation of surfaces resulting from caustic or corrosive environments including but not limited to high salt concentrations, high moisture or humidity or exposure to chemicals.
11. Food or medicine loss due to product failure.
12. Pick-up or delivery. This product is intended for in-home repair.
13. Travel or transportation expenses for service in remote locations where an authorized Whirlpool servicer is not available.
14. Removal or reinstallation of inaccessible appliances or built-in fixtures (i.e. trim, decorative panels, flooring, cabinetry, islands, countertops, drywall, etc.) that interfere with servicing, removal or replacement of the product.
15. Service or parts for appliances with original model/serial numbers removed, altered or not easily determined.

The cost of repair or replacement under these excluded circumstances shall be borne by the customer.

DISCLAIMER OF IMPLIED WARRANTIES

IMPLIED WARRANTIES, INCLUDING ANY IMPLIED WARRANTY OF MERCHANTABILITY OR IMPLIED WARRANTY OF FITNESS FOR A PARTICULAR PURPOSE, ARE LIMITED TO ONE YEAR OR THE SHORTEST PERIOD ALLOWED BY LAW. Some states and provinces do not allow limitations on the duration of implied warranties of merchantability or fitness, so this limitation may not apply to you. This warranty gives you specific legal rights, and you also may have other rights that vary from state to state or province to province.

DISCLAIMER OF REPRESENTATIONS OUTSIDE OF WARRANTY

Whirlpool makes no representations about the quality, durability, or need for service or repair of this major appliance other than the representations contained in this warranty. If you want a longer or more comprehensive warranty than the limited warranty that comes with this major appliance, you should ask Whirlpool or your retailer about buying an extended warranty.

LIMITATION OF REMEDIES; EXCLUSION OF INCIDENTAL AND CONSEQUENTIAL DAMAGES

YOUR SOLE AND EXCLUSIVE REMEDY UNDER THIS LIMITED WARRANTY SHALL BE PRODUCT REPAIR AS PROVIDED HEREIN. WHIRLPOOL SHALL NOT BE LIABLE FOR INCIDENTAL OR CONSEQUENTIAL DAMAGES. Some states and provinces do not allow the exclusion or limitation of incidental or consequential damages, so these limitations and exclusions may not apply to you. This warranty gives you specific legal rights, and you also may have other rights that vary from state to state or province to province.



INSTRUCTIONS D'UTILISATION DU FOUR ÉLECTRIQUE ENCASTRÉ SIMPLE ET DOUBLE

MERCI d'avoir acheté ce produit de grande qualité. Enregistrer le four sur www.whirlpool.ca.

Pour référence ultérieure, consigner par écrit les numéros de modèle et de série de votre produit. Ceux-ci se trouvent sur le côté droit sous le tableau de commande.

Numéro de modèle _____ Numéro de série _____

Table des matières

SÉCURITÉ DU FOUR	16
GUIDE DES CARACTÉRISTIQUES	18
UTILISATION DU FOUR	21
Commandes électroniques du four	21
Mode Sabbat.....	22
Papier d'aluminium	22
Positionnement des grilles et des ustensiles de cuisson au four.....	22
Grille déployante	23
Évent(s) du four	24
Cuisson au four et rôtissage	24
Cuisson au gril.....	24
Cuisson par convection	24
Levée du pain.....	25
Sonde thermométrique	26
Durée de cuisson	26
ENTRETIEN DU FOUR	27
Programme d'autonettoyage	27
Nettoyage général	28
Lampes du four	28
RÉSOLUTION DE PROBLÈMES	29
ACCESSOIRES	30
GARANTIE	31

SÉCURITÉ DU FOUR

Votre sécurité et celle des autres est très importante.

Nous donnons de nombreux messages de sécurité importants dans ce manuel et sur votre appareil ménager. Assurez-vous de toujours lire tous les messages de sécurité et de vous y conformer.



Voici le symbole d'alerte de sécurité.

Ce symbole d'alerte de sécurité vous signale les dangers potentiels de décès et de blessures graves à vous et à d'autres.

Tous les messages de sécurité suivront le symbole d'alerte de sécurité et le mot "DANGER" ou "AVERTISSEMENT". Ces mots signifient :

! DANGER

Risque possible de décès ou de blessure grave si vous ne suivez pas immédiatement les instructions.

! AVERTISSEMENT

Risque possible de décès ou de blessure grave si vous ne suivez pas les instructions.

Tous les messages de sécurité vous diront quel est le danger potentiel et vous disent comment réduire le risque de blessure et ce qui peut se produire en cas de non-respect des instructions.

IMPORTANTES INSTRUCTIONS DE SÉCURITÉ

AVERTISSEMENT : Pour réduire le risque d'incendie, de choc électrique, de blessures corporelles ou de dommages lors de l'utilisation du four, il convient d'observer certaines précautions élémentaires dont les suivantes :

- Installation appropriée – S'assurer que le four est convenablement installé et relié à la terre par un technicien qualifié.
- Ne jamais utiliser le four pour chauffer ou réchauffer une pièce.
- Ne pas laisser les enfants seuls – Les enfants ne doivent pas être laissés seuls ou sans surveillance dans la pièce où le four est en service. Ne jamais laisser les enfants s'asseoir ou se tenir sur une partie quelconque du four.
- Porter des vêtements appropriés – Les vêtements amples ou détachés ne doivent jamais être portés pendant l'utilisation du four.
- Entretien par l'utilisateur – Ne pas réparer ni remplacer toute pièce du four si ce n'est pas spécifiquement recommandé dans le manuel. Toute autre opération d'entretien ou de réparation doit être confiée à un technicien qualifié.
- Ne pas utiliser d'eau pour éteindre un feu de graisse – Éteindre le feu ou les flammes ou utiliser des extincteurs polyvalents à produits chimiques secs ou un extincteur à mousse.
- Utiliser seulement des mitaines sèches de four – Des mitaines de four mouillées ou humides sur des surfaces chaudes peuvent provoquer des brûlures provenant de la vapeur. Ne pas laisser les mitaines de four toucher les éléments chauffants. Ne pas utiliser une serviette ou un tissu épais.
- Exercer une grande prudence lors de l'ouverture de la porte. Laisser l'air chaud ou la vapeur s'échapper avant d'enlever ou de remplacer un plat.
- Ne pas faire chauffer des contenants fermés – L'accumulation de pression peut causer une explosion du contenant et des blessures.

- Ne jamais obstruer les ouvertures des événements.
- Placement des grilles du four – Toujours placer les grilles du four à l'endroit désiré, lorsque le four est froid. Si la grille doit être déplacée lorsque le four est chaud, ne pas laisser des mitaines de four toucher l'élément chauffant dans le four.
- Remisage dans le four – Des matériaux inflammables ne doivent pas être remisés dans un four.
- NE PAS TOUCHER LES ÉLÉMENTS CHAUFFANTS OU LES SURFACES INTÉRIEURES DU FOUR – les éléments chauffants peuvent être chauds même s'ils ont une teinte foncée. Les surfaces intérieures de four deviennent assez chaudes pour causer des brûlures. Pendant et après l'utilisation, ne pas toucher ou laisser des vêtements ou autres matériaux inflammables venir en contact avec les éléments chauds ou les surfaces intérieures chaudes du four avant qu'ils aient eu assez de temps pour refroidir. D'autres surfaces du four peuvent devenir assez chaudes pour causer des brûlures. Ces surfaces comprennent les ouvertures de l'événement du four et la surface près de ces ouvertures, les portes du four et les hublots des portes du four.

Fours autonettoyants :

- Ne pas nettoyer le joint de la porte – Le joint de la porte est essentiel pour l'étanchéité. Veiller à ne pas froter, endommager ou déplacer le joint.
- Ne pas utiliser les produits commerciaux de nettoyage de four – On ne doit pas utiliser un produit commercial de nettoyage de four ou un enduit de protection des surfaces internes du four quel qu'en soit le type, sur les surfaces du four ou les surfaces voisines.
- Nettoyer uniquement les pièces indiquées dans le manuel.
- Avant d'exécuter le programme d'autonettoyage du four, enlever la lèchefrite et sa grille et les autres ustensiles.

CONSERVEZ CES INSTRUCTIONS

Avertissements de la proposition 65 de l'État de Californie :

AVERTISSEMENT : Ce produit contient au moins un produit chimique connu par l'État de Californie pour être à l'origine de cancers.

AVERTISSEMENT : Ce produit contient au moins un produit chimique connu par l'État de Californie pour être à l'origine de malformations et autres déficiences de naissance.

GUIDE DES CARACTÉRISTIQUES

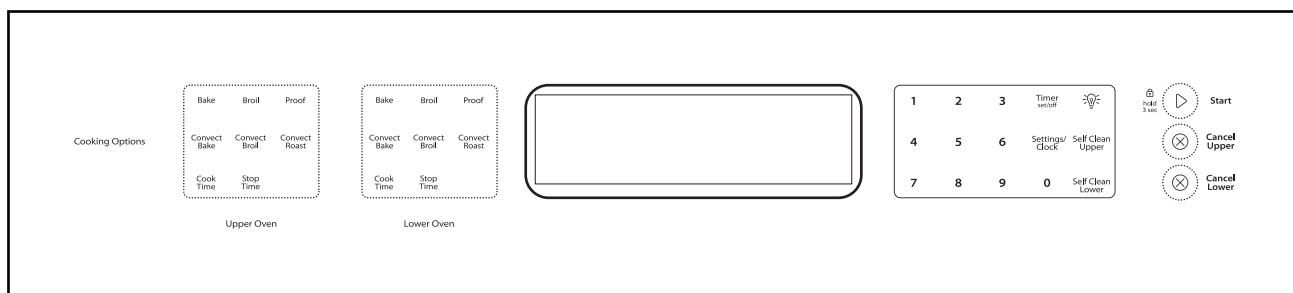
Ce manuel couvre différents modèles. Le modèle que vous avez peut comporter toutes les caractéristiques énumérées ou seulement certaines d'entre elles. Consulter ce manuel ou la section d'aide à la clientèle sur www.whirlpool.ca pour des instructions plus détaillées.


⚠ AVERTISSEMENT

Risque d'empoisonnement alimentaire

Ne pas laisser des aliments dans un four plus d'une heure avant ou après la cuisson.

Le non-respect de cette instruction peut causer un empoisonnement alimentaire ou une maladie.



Touche	Caractéristique	Instructions
SETTINGS/CLOCK (réglages/horloge)	Horloge	Cette horloge peut utiliser un programme de 12 heures. Voir la section “Commandes électroniques du four”. <ol style="list-style-type: none"> 1. Appuyer sur SETTINGS/CLOCK (réglages/horloge). 2. Appuyer sur la touche “1”. 3. Appuyer sur les touches numériques pour régler l'heure du jour. 4. Appuyer sur START (mise en marche).
SETTINGS/CLOCK (réglages/horloge)	Fonctions d'utilisation du four	Permet de personnaliser les signaux sonores audibles et le fonctionnement du four pour convenir à vos besoins. Voir la section “Utilisation du four”.
Lampe du four 	Lampe de la cavité du four	Alors que la(les) porte(s) du four sont fermées, appuyer sur la touche Lampe du four pour allumer ou éteindre les lampes. Les lampes du four s'allument à l'ouverture de la porte.
TIMER SET/OFF (minuterie réglage/arrêt)	Minuterie du four	La minuterie peut être réglée en heures ou en minutes jusqu'à concurrence de 23 heures et 59 minutes. <ol style="list-style-type: none"> 1. Appuyer sur TIMER SET/OFF (réglage/arrêt de la minuterie) jusqu'à ce que le réglage de la minuterie est affiché. 2. Appuyer sur les touches numériques pour régler la durée au réglage choisi (MIN/SEC ou HR/MIN). 3. Appuyer sur TIMER SET/OFF (minuterie réglage/arrêt) pour commencer le compte à rebours. Si activés, le(les) signal(signaux) sonore(s) de la minuterie retentissent à la fin du compte à rebours. 4. Appuyer sur TIMER SET/OFF (minuterie réglage/arrêt) pour annuler la minuterie et revenir à l'heure du jour. Ne pas appuyer sur la touche Cancel (annulation), sinon le four s'éteindra.
START (mise en marche)	Démarrage de la cuisson	La touche Start (mise en marche) met en marche n'importe quelle fonction du four. Si, après avoir appuyé sur une touche, on n'appuie pas sur Start (mise en marche) dans les 5 minutes qui suivent, la fonction est annulée et l'heure s'affiche.
CANCEL (annulation)	Fonction du four	La touche Cancel (annulation) désactive toutes les fonctions du four à l'exception de l'horloge, de la minuterie et du verrouillage des commandes du four sélectionné.

Touche	Caractéristique	Instructions
BAKE (cuisson au four)	Cuisson au four et rôtissage	<p>Le four peut cuire à des températures entre 170 °F (77 °C) et 550 °F (288 °C). La température par défaut est de 350 °F (177 °C).</p> <ol style="list-style-type: none"> 1. Appuyer sur BAKE (cuisson au four) pour le four désiré. 2. Utiliser les touches numériques pour régler la température. Si la température entrée ne se trouve pas dans la fourchette des températures autorisées, la température par défaut s'affiche et un signal sonore se fera entendre. Entrer une température dans la fourchette autorisée. 3. Appuyer sur START (mise en marche) pour le four désiré. 4. Appuyer sur CANCEL (annulation) pour le four désiré après avoir terminé.
BROIL (cuisson au gril)	Cuisson au gril	<p>Le four peut griller à des températures entre 450 °F (232 °C) et 550 °F (288 °C). La température par défaut est de 550 °F (288 °C).</p> <ol style="list-style-type: none"> 1. Appuyer sur BROIL (cuisson au gril) pour le four désiré. 2. Utiliser les touches numériques pour régler la température. Si la température entrée ne se trouve pas dans la fourchette des températures autorisées, la température par défaut s'affiche et un signal sonore se fera entendre. Entrer une température dans la fourchette autorisée. 3. Appuyer sur START (mise en marche) pour le four désiré. Aucun préchauffage n'est nécessaire. 4. Placer les ustensiles de cuisine dans le four et fermer la porte du four. 5. Appuyer sur CANCEL (annulation) pour le four désiré après avoir terminé.
CONVECT BAKE (cuisson au four par convection)	Cuisson par convection	<p>Le four peut cuire par convection à des températures entre 170 °F (77 °C) et 550 °F (288 °C). La température par défaut est de 325 °F (163 °C).</p> <p>Consulter la section de cuisson par convection de ces instructions pour plus d'informations.</p> <ol style="list-style-type: none"> 1. Appuyer sur la touche CONVECT BAKE (cuisson par convection) du four souhaité. Suivre les commandes à l'écran et utiliser le clavier numérique pour effectuer la sélection entre les fonctions de conversion de temps/température de la convection. <p>Avec utilisation de conversion temps/température :</p> <ol style="list-style-type: none"> 2. Utiliser les touches numériques pour régler la température. Si la température entrée ne se trouve pas dans la fourchette des températures autorisées, la température par défaut s'affiche et un signal sonore se fera entendre. Entrer une température dans la fourchette autorisée. 3. Appuyer sur les touches numériques pour régler la durée de cuisson. 4. Passer à l'étape 5. <p>Sans utilisation de conversion temps/température :</p> <ol style="list-style-type: none"> 2. Suivre les commandes à l'écran et utiliser le clavier numérique pour indiquer si vous souhaitez utiliser la fonction de préchauffage rapide. 3. Utiliser les touches numériques pour régler la température souhaitée. Si la température entrée ne se trouve pas dans la fourchette des températures autorisées, la température par défaut s'affiche et un signal sonore se fera entendre. 4. Passer à l'étape 5. 5. Appuyer sur le bouton START (mise en marche) correspondant au four sélectionné. 6. Appuyer sur CANCEL (annulation) pour le four sélectionné une fois terminé.
CONVECT ROAST (rôtissage par convection)	Cuisson par convection	<p>Le four peut rôtir par convection à des températures entre 170 °F (77 °C) et 550 °F (288 °C). La température par défaut est de 350 °F (177 °C).</p> <p>Consulter la section de cuisson par convection de ces instructions pour plus d'informations.</p> <ol style="list-style-type: none"> 1. Appuyer sur la touche CONVECT ROAST (rôtissage par convection) du four souhaité. Suivre les commandes à l'écran et utiliser le clavier numérique pour effectuer la sélection entre les fonctions de conversion de temps/température de la convection. <p>Avec utilisation de conversion temps/température :</p> <ol style="list-style-type: none"> 2. Utiliser les touches numériques pour régler la température. Si la température entrée ne se trouve pas dans la fourchette des températures autorisées, la température par défaut s'affiche et un signal sonore se fera entendre. Entrer une température dans la fourchette autorisée. 3. Appuyer sur les touches numériques pour régler la durée de cuisson. 4. Passer à l'étape 5. <p>Sans utilisation de conversion temps/température :</p> <ol style="list-style-type: none"> 2. Utiliser les touches numériques pour régler la température souhaitée. Si la température entrée ne se trouve pas dans la fourchette des températures autorisées, la température par défaut s'affiche et un signal sonore se fera entendre. 3. Passer à l'étape 5. 5. Appuyer sur le bouton START (mise en marche) correspondant au four sélectionné. 6. Appuyer sur CANCEL (annulation) pour le four sélectionné une fois terminé.

Touche	Caractéristique	Instructions
CONVECT BROIL (cuisson au gril par convection)	Cuisson par convection	<p>Le four peut griller par convection à des températures entre 450 °F (232 °C) et 550 °F (288 °C). La température par défaut est de 550 °F (288 °C).</p> <ol style="list-style-type: none"> 1. Appuyer sur CONVECT BROIL (cuisson au gril par convection) pour le four désiré. 2. Utiliser les touches numériques pour régler la température. Si la température entrée ne se trouve pas dans la fourchette des températures autorisées, la température par défaut s'affiche et un signal sonore se fera entendre. Entrer une température dans la fourchette autorisée. 3. Appuyer sur START (mise en marche) pour le four désiré. 4. Appuyer sur CANCEL (annulation) pour le four désiré après avoir terminé.
PROOF (levée du pain)	Levée du pain	<ol style="list-style-type: none"> 1. Appuyer sur PROOF (levée du pain) pour le four désiré. 2. Appuyer sur START (mise en marche) pour le four désiré. Laisser la pâte lever jusqu'à ce qu'elle ait presque doublé de volume. La durée de levée du pain peut varier en fonction du type de pâte et de la quantité. 3. Appuyer sur CANCEL (annulation) pour le four désiré après avoir terminé la levée. Consulter la section "Levée du pain" pour plus d'informations.
STOP TIME (heure d'arrêt)	Mise en marche différée	<p>La touche d'arrêt de l'heure sert à entrer l'heure d'arrêt pour un four équipé. L'heure d'arrêt ne doit pas être utilisée pour les aliments tels que pains et gâteaux, car ils risquent de ne pas bien cuire.</p> <p>Pour régler une durée de cuisson ou une heure d'arrêt, voir la section "Durée de cuisson".</p>
COOK TIME (durée de cuisson)	Cuisson minutée	<p>La fonction de durée de cuisson permet d'allumer le four à une certaine heure de la journée, d'effectuer une cuisson pendant une durée déterminée et/ou d'éteindre le four automatiquement.</p> <p>Pour régler une durée de cuisson ou une heure d'arrêt, voir la section "Durée de cuisson".</p>
SELF CLEAN (autonettoyage)	Programme d'autonettoyage	Voir la section "Programme d'autonettoyage".
START hold 3 sec. (mise en marche appuyer pendant 3 sec.)	Verrouillage des commandes du four	<ol style="list-style-type: none"> 1. Vérifier que toutes les fonctions du four et de la table de cuisson sont désactivées, y compris les fonctions de minuterie et de cuisson minutée. 2. Appuyer sans relâcher sur START (mise en marche) pendant 3 secondes. 3. Si cette fonction est activée, un signal sonore retentit et "Tableau de commande verrouillé" s'affiche. 4. Répéter pour déverrouiller. Aucune touche ne fonctionne lorsque les commandes sont verrouillées.

UTILISATION DU FOUR

Des odeurs et de la fumée sont normales lorsque le four est utilisé la première fois, ou lorsqu'il est très sale.

IMPORTANT : Certains oiseaux sont très sensibles aux émanations de fumée. L'exposition aux émanations peut entraîner la mort de certains oiseaux. Toujours déplacer les oiseaux dans une autre pièce fermée et bien aérée.

Commandes électroniques du four

Affichage des commandes

L'affichage clignote lorsqu'il est mis en marche ou après une coupure de courant. Lorsque le four n'est pas en marche, l'heure du jour est affichée.

Signaux sonores

Les signaux sonores indiquent ce qui suit :

Un bip

- Touche valide.
- Saisie d'une fonction.

Une sonnerie

- Programme de préchauffage termine.

Trois bips

- Touche non valide.

Trois sonneries

- Fin d'un programme de cuisson.

Quatre sonneries

- Lorsque la minuterie est à zéro.

Appuyer sur la touche Settings/Clock (réglages/horloge) pour modifier les réglages des signaux sonores.

Réglages

De nombreuses caractéristiques du module de commande du four peuvent être ajustées pour répondre à vos besoins. On effectue ces changements à l'aide de la touche Settings/Clock (réglages/horloge).

Utiliser la touche Settings/Clock (réglages/horloge) pour faire défiler les caractéristiques qui peuvent être modifiées. L'affichage passe au réglage suivant à chaque pression supplémentaire sur Settings/Clock (réglages/horloge). De même, l'on peut appuyer sur SETTINGS/CLOCK (réglages/horloge), puis appuyer sur les touches numériques indiquées dans le tableau suivant pour aller droit au réglage désiré.

Numéro de réglages	Réglage
1	Horloge
2	Température
3	Volume sonore (marche/arrêt)
4	Volume sonore (élevé/bas)
5	Signal de fin
6	Calibrage
7	Sabbat
8	Langue
9	Mode de démonstration

Après avoir sélectionné la caractéristique à modifier, le tableau de commande demande à l'utilisateur d'effectuer la manœuvre nécessaire. Les sections suivantes détaillent toutes les modifications de caractéristiques.

Appuyer sur CANCEL (annulation) pour sortir du mode Settings (réglages).

Fahrenheit et Celsius

Le four est préréglé pour un affichage de la température en degrés Fahrenheit, mais on peut le permuter en degrés Celsius.

1. Appuyer sur SETTINGS/CLOCK (réglages/horloge).
2. Appuyer sur la touche "2" pour modifier le réglage.
3. Recommencer pour effectuer de nouveau le réglage.

Désactivation des signaux sonores

Désactive tous les signaux sonores, y compris le signal sonore de fin de programme et les signaux sonores d'appui sur une touche.

1. Appuyer sur SETTINGS/CLOCK (réglages/horloge).
2. Appuyer sur la touche "3" pour modifier le réglage.
3. Recommencer pour effectuer de nouveau le réglage.

Volume sonore

Règle le timbre du signal sonore à bas ou élevé.

1. Appuyer sur SETTINGS/CLOCK (réglages/horloge).
2. Appuyer sur la touche "4" pour modifier le réglage.
3. Recommencer pour effectuer de nouveau le réglage.

Signal sonore de fin de programme

Active ou désactive les signaux sonores qui retentissent à la fin d'un programme.

1. Appuyer sur SETTINGS/CLOCK (réglages/horloge).
2. Appuyer sur la touche "5" pour modifier le réglage.
3. Recommencer pour effectuer de nouveau le réglage.

Commande de décalage de température du four

IMPORTANT : Ne pas utiliser de thermomètre pour mesurer la température du four. Les éléments chauffants s'allument et s'éteignent en alternance pour maintenir une température constante, mais leur température peut varier légèrement dans un sens ou dans l'autre du fait de cette alternance. De nombreux thermomètres réagissent lentement à un changement de température, et ne donneront pas une mesure exacte du fait de cette alternance.

Le four fournit des températures précises; toutefois, il peut cuire plus rapidement ou plus lentement que votre four précédent, c'est pourquoi la température peut être ajustée à vos besoins de cuisson. Elle peut être modifiée en degrés Fahrenheit ou Celsius.

Ajustement de la température du four :

1. Appuyer sur SETTINGS/CLOCK (réglages/horloge).
2. Appuyer sur la touche "6".
3. Fours doubles uniquement : Appuyer sur la touche "1" pour sélectionner le four supérieur ou appuyer sur la touche "2" pour sélectionner le four inférieur.
4. Appuyer sur la touche "3" pour augmenter la température, ou appuyer sur la touche "6" pour diminuer la température. La plage de température doit se situer entre -30°F et +30°F (-18°C à +18°C).
5. Appuyer sur START (mise en marche).

Langues - Menu d'affichage déroulant

Les options de langues sont l'Anglais et le Français.

1. Appuyer sur SETTINGS/CLOCK (réglages/horloge).
2. Appuyer sur la touche "8" pour modifier le réglage.
3. Recommencer pour effectuer de nouveau le réglage.

Mode démo

IMPORTANT : Ce mode est conçu pour le personnel de vente en rayon avec une alimentation de 120V et permet de présenter le fonctionnement des caractéristiques du tableau de commande sans pour autant activer les éléments de chauffage. Si cette caractéristique est activée, le four ne fonctionnera pas.

1. Appuyer sur SETTINGS/CLOCK (réglages/horloge).
2. Appuyer sur la touche "9" pour modifier le réglage.
3. Recommencer pour effectuer de nouveau le réglage.

Mode Sabbat

Le mode Sabbat maintient le réglage de cuisson au four tant que le four n'est pas éteint. Un mode Sabbat minuté peut également être programmé pour garder le four allumé seulement pendant une partie du mode Sabbat.

Lorsque le mode Sabbat est réglé, seul le programme de cuisson au four fonctionne. Tous les autres programmes de cuisson et de nettoyage sont désactivés. Aucun signal sonore ne retentit et les affichages n'indiquent pas les changements de température.

Lorsque la porte du four est ouverte ou fermée, la lampe du four ne s'allume ou ne s'éteint pas et les éléments de chauffage ne s'allument ou ne s'éteignent pas immédiatement.

Le four peut cuire à des températures entre 170 °F (77 °C) et 550 °F (288 °C). La température par défaut est de 350 °F (177 °C).

Activation du mode Sabbat (une seule fois) :

1. Appuyer sur SETTINGS/CLOCK (réglages/horloge).
2. Appuyer sur la touche "7" pour modifier le réglage.

REMARQUE : Pour désactiver le mode Sabbat, répéter les étapes 1 et 2.

Activation du mode Sabbat :

1. Appuyer sur la touche BAKE (cuisson au four) du four souhaité.
2. Utiliser les touches numériques pour régler la température. Si la température entrée ne se trouve pas dans la fourchette des températures autorisées, la température par défaut s'affiche et un signal sonore se fera entendre. Entrer une température dans la fourchette autorisée.
3. Appuyer sur START (mise en marche) pour le four désiré.
Pour une cuisson minutée au mode Sabbat, appuyer sur COOK TIME (durée de cuisson), puis sur les touches numériques pour régler la durée de cuisson désirée. Appuyer sur START (mise en marche) pour le four désiré.
4. (Facultatif) Si le mode Sabbat doit être activé pour les deux fours, répéter les étapes 1 à 3 pour le second four.
5. Appuyer sur SETTINGS/CLOCK (réglages/horloge). Un signal sonore retentit. Ensuite, appuyer sur "7". "SAB" apparaît sur l'affichage.

Réglage de la température :

1. Appuyer sur les touches numériques comme indiqué par le texte déroulant afin de sélectionner la nouvelle température.

REMARQUE : Le changement de température n'apparaît pas sur l'affichage et aucun son n'est émis. Le texte déroulant s'affiche tel qu'il était avant que l'on n'appuie sur la touche.

2. Appuyer sur START (mise en marche).

REMARQUE : Si le mode Sabbat est activé pour les deux fours, changer la température aura pour effet de changer la température dans les deux fours.

Désactivation du mode Sabbat :

Appuyer sur SETTINGS/CLOCK (réglages/horloge), puis "7" pour revenir à la cuisson au four traditionnelle ou appuyer sur CANCEL (annulation) pour le four désiré pour éteindre le(s) four(s).

Papier d'aluminium

IMPORTANT : Pour éviter des dommages permanents au fini du fond du four, ne pas recouvrir le fond du four avec du papier d'aluminium ou un revêtement quelconque.

Pour assurer une bonne circulation de l'air et des résultats de cuisson optimaux, ne pas recouvrir la grille entière de papier d'aluminium.

Positionnement des grilles et des ustensiles de cuisson au four

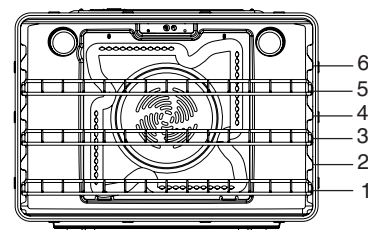
IMPORTANT : Afin d'éviter des dommages permanents au fini en porcelaine, ne pas placer d'aliments ou d'ustensiles de cuisson au four directement sur la porte ou sur le fond du four.

Grilles

- Placer les grilles avant d'allumer le four.
- Ne pas installer les grilles lorsque des ustensiles de cuisson au four se trouvent dessus.
- S'assurer que les grilles sont d'aplomb.
- Placer les aliments de façon à ce qu'ils ne touchent pas l'élément de cuisson au gril en augmentant de volume. Laisser un espace d'au moins 1/2" (1,3 cm) entre les plats et l'élément de cuisson au gril.

Pour déplacer une grille, la tirer jusqu'à la butée, soulever l'avant puis la retirer. Se servir des illustrations et du tableau suivants comme guide pour le positionnement des grilles.

Positions de grille



Cuisson au gril

Aliments	Position de la grille
Pour la plupart des cuissons au gril	6

Pour qu'une galette à hamburger soit bien saisie à l'extérieur tout en restant bien souple à l'intérieur, utiliser une grille plate en position 6. Cuire le 1er côté pendant environ 3 minutes. On doit cuire le 2e côté pendant environ 3 à 4 minutes. Une légère fumée peut se dégager durant la cuisson au gril.

Cuisson traditionnelle

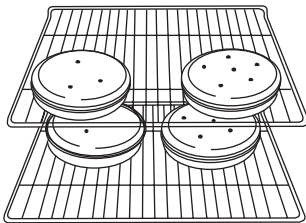
Aliments	Position de la grille
Gros rôtis, dindes, gâteaux des anges, gâteaux Bundt, pains éclairs, tarte	1 ou 2
Pains à la levure, mets en sauce, viande et volaille	2
Biscuits, muffins et gâteaux	2 ou 3 pour une cuisson au four sur une seule grille; 2 et 5 pour une cuisson au four sur plusieurs grilles

Cuisson par convection

Réglage du four	Nombre de grilles utilisées	Position(s) de la grille
Cuisson au four avec préchauffage rapide	1	3
Cuisson au four par convection avec préchauffage rapide	1	3
Cuisson au four par convection	1	1, 2 ou 3
Cuisson au four par convection	2	2 et 5
Cuisson au four par convection	3	1, 3 et 5
Rôtissage par convection	1	1 ou 2
Cuisson au gril par convection	1	4, 5 ou 6

Cuisson au four des gâteaux à étages, sur 2 grilles

Pour des résultats optimaux lors de la cuisson au four de gâteaux sur 2 grilles, utiliser les positions de grille 2 et 5 avec la fonction Bake (cuisson au four). Placer les gâteaux sur les grilles tel qu'indiqué. Prévoir un espace d'au moins 2" (5,0 cm) entre le bord avant des grilles et le bord avant des gâteaux.



Cuisson au four de biscuits sur 2 grilles

Pour des résultats optimaux lors de la cuisson au four de biscuits sur 2 grilles, utiliser les positions de grille 2 et 5 avec la fonction Convection Bake (cuisson au four par convection).

Ustensiles de cuisson au four

L'air chaud doit pouvoir circuler autour de l'aliment pour le cuire uniformément. Laisser 2" (5,0 cm) entre les ustensiles de cuisson au four et les parois du four. Utiliser le tableau suivant comme guide.

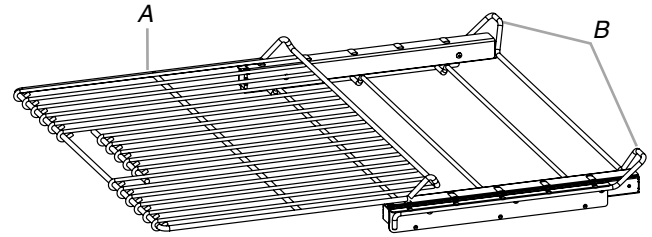
Nombre d'ustensiles	Position sur la grille
1	Centre de la grille.
2	Côte à côte ou légèrement décalés.
3 ou 4	Consulter l'illustration précédente.

REMARQUE : Le matériel des ustensiles de cuisson et la couleur peuvent affecter les résultats. Les plateaux foncés, non-adhésifs, au fini terne ou en verre peuvent nécessiter des temps de cuisson plus courts contrairement aux lèchefrites isolées ou en acier inoxydable qui nécessitent un temps de cuisson plus long. Suivre les recommandations du fabricant des ustensiles de cuisson.

Grille déployante

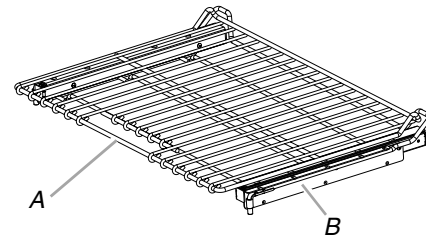
La grille déployante offre un accès facile à l'utilisateur pour le positionnement et le retrait des aliments. Elle peut être utilisée sur les positions de grille 1 à 6.

Position déployée



A. Grille déployante
B. Support coulissant

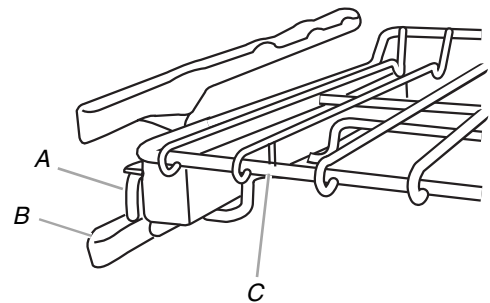
Position rétractée et emboîtée



A. Grille déployante
B. Support coulissant

Retrait de la grille déployante :

1. Enfoncer la grille complètement en la faisant glisser jusqu'à ce qu'elle soit rétractée et emboîtée sur le support coulissant.
2. À 2 mains, soulever l'avant de la grille et pousser le support coulissant vers la paroi arrière du four jusqu'à ce qu'il repose sur les rails pour grille. L'avant de la grille et du support coulissant doivent se trouver plus haut que l'arrière.



A. Support coulissant
B. Rail pour grille
C. Grille déployante

3. Retirer la grille et le support coulissant.

Réinstallation de la grille déployante :

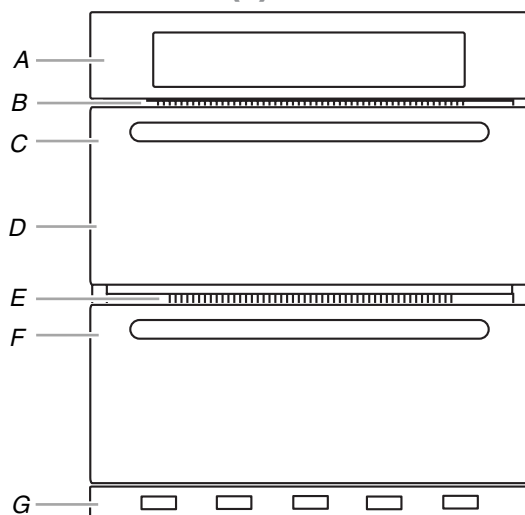
1. À 2 mains, saisir l'avant de la grille rétractée et du support coulissant. Placer la grille rétractée et le support coulissant sur le rail pour grille.
2. À 2 mains, soulever l'avant de la grille et du support coulissant en même temps.
3. Pousser lentement la grille et le support coulissant vers l'arrière du four jusqu'à ce que l'arrière de la grille chevauche l'extrémité du rail pour grille.

Afin d'éviter d'endommager les supports coulissants, ne pas placer plus de 25 lb (11,4 kg) sur la grille.

Ne pas laver la grille déployante au lave-vaisselle. Ceci pourrait enlever le lubrifiant de la grille et affecter la capacité de celle-ci à glisser.

Voir la section "Nettoyage général" pour plus de renseignements.

Évent(s) du four



Four simple et double		Four double	
A. Tableau de commande	D. Four supérieur		
B. Évent du four	E. Évent du four		
C. Four simple ou four double supérieur	F. Four inférieur		
G. Évent inférieur	G. Évent inférieur		

L'évent/les événements du four ne doit/doivent être ni obstrué(s) ni couvert(s), car il(s) permet(tent) l'introduction de l'air frais dans le système de refroidissement. D'autre part, l'évent inférieur ne doit pas être obstrué ni recouvert car il permet l'introduction d'air frais dans le système de refroidissement et l'évacuation de l'air chaud en provenance du système de refroidissement. Le fait d'obstruer ou de couvrir les événements nuit à la circulation adéquate de l'air et affecte la cuisson, le nettoyage et le processus de refroidissement.

Cuisson au four et rôtissage

Préchauffage

Au début d'un programme de cuisson au four, de cuisson au four avec convection ou de rôtissage avec convection, le four commence par un préchauffage une fois la touche Start (mise en marche) enfoncée. Le four atteint 350°F (177°C) en 12 à 17 minutes environ lorsque toutes les grilles fournies avec le four sont à l'intérieur. Pour atteindre une température plus élevée, le préchauffage est plus long. Le programme de préchauffage augmente rapidement la température du four. La température réelle du four dépasse alors la température programmée, pour compenser la chaleur perdue à l'ouverture du four pour y introduire le plat à cuire. Ainsi, le four entame la cuisson à la température correcte après y avoir placé le plat. Placer les aliments au four lorsque le signal sonore de préchauffage retentit. Ne pas ouvrir la porte du four pendant le préchauffage tant que le signal sonore n'a pas retenti.

Température du four

En cours d'utilisation, les éléments chauffants du four s'allument et s'éteignent en alternance pour maintenir une température constante, mais leur température peut varier légèrement dans un sens ou dans l'autre du fait de cette alternance. L'ouverture de la porte du four en cours d'utilisation laisse échapper l'air chaud et refroidit le four, ce qui peut modifier la durée de cuisson nécessaire et le résultat de la cuisson. Pour suivre l'avancement de la cuisson, il est conseillé d'utiliser l'éclairage du four.

REMARQUE : Sur les modèles équipés d'une fonction de convection, le ventilateur de convection peut tourner dans le mode de cuisson sans convection pour améliorer la performance du four.

Avant la cuisson au four et le rôtissage, placer les grilles comme indiqué à la section "Positionnement des grilles et des ustensiles de cuisson au four". Lors du rôtissage, il n'est pas nécessaire d'attendre la fin du préchauffage du four avant d'y placer la nourriture, sauf si la recette le recommande.

Cuisson au gril

Pour la cuisson au gril, aucun préchauffage n'est nécessaire, à moins que la recette ne recommande autre chose. Placer l'aliment sur la grille de la lèchefrite, puis placer celle-ci au centre de la grille du four. Fermer la porte pour une température de cuisson au gril adéquate.

REMARQUE : Des odeurs et de la fumée sont normales lorsque le four est utilisé les premières fois, ou lorsqu'il est très sale.

Le changement de température lors de la cuisson au gril permet un contrôle plus précis de la cuisson. Plus le réglage du gril est bas, plus la cuisson est lente. Les morceaux épais et de forme irrégulière de viande, de poisson et de volaille cuisent mieux à des réglages de gril plus bas. Placer les aliments dans le four supérieur ou inférieur. Consulter la section "Positionnement des grilles et ustensiles de cuisson au four" pour plus d'informations.

Lors de la cuisson au gril en utilisant des réglages plus bas, l'élément de cuisson s'allume et s'éteint par intermittence afin de maintenir une température adéquate.

- Pour de meilleurs résultats, utiliser une lèchefrite et une grille. La lèchefrite est conçue pour laisser s'écouler les jus et aider à éviter les éclaboussures et la fumée.

Il est possible de commander une lèchefrite. Consulter la section "Accessoires" pour plus d'informations.

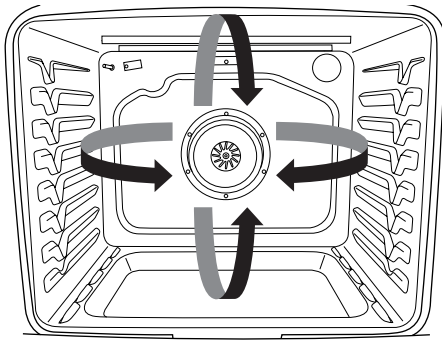
Cuisson par convection

Dans un four à convection, l'air chaud que fait circuler le ventilateur distribue la chaleur de façon continue et plus uniformément que le mouvement naturel de l'air dans un four thermique standard. Ce déplacement de l'air chaud aide à maintenir une température constante dans tout le four, ce qui permet de cuire les aliments plus uniformément, de faire croustiller la surface des aliments tout en conservant leur humidité naturelle et de donner des pains plus croustillants.

Durant la cuisson par convection, les éléments de cuisson au four, cuisson au gril et cuisson par convection (convection véritable uniquement) s'allument et s'éteignent par intermittence pour maintenir la température du four tandis que le ventilateur fait circuler l'air chaud.

Si la porte du four est ouverte durant la cuisson par convection, le ventilateur s'éteint immédiatement. Il s'allume à nouveau lorsque la porte du four est fermée.

REMARQUE : La porte du four doit être fermée pour la cuisson au grill par convection.



Avant de lancer une cuisson par convection, positionner les grilles tel qu'indiqué à la section "Positionnement des grilles et des ustensiles de cuisson au four".

La cuisson par convection permet de cuire la majorité des aliments à une température plus basse ou moins longtemps. Ces réglages peuvent être effectués à l'aide du tableau suivant.

Réglage	Instructions
CONVECT BAKE (cuisson au four par convection)	Réduire la température de cuisson au four standard de 25°F (15°C).
CONVECT ROAST (rôtissage par convection)	Utiliser une température de recette standard. La durée de cuisson peut être réduite de 15 à 30 % avec la fonction de rôti par convection; il faut donc contrôler le degré de cuisson des aliments tôt au cours de la cuisson.
CONVECT BROIL (cuisson au grill par convection)	Utiliser une température de recette standard. La durée de cuisson peut être réduite; il faut donc contrôler le degré de cuisson des aliments tôt au cours de la cuisson.

Conversion temps/température

Les températures et durées de cuisson par convection sont différentes de celles d'une cuisson standard. La fonction de conversion temps/température permet de convertir la durée et la température de cuisson ou de rôti pour obtenir la durée et la température idéale pour la cuisson par convection. La durée et la température affichées sont converties pour une cuisson par convection.

Levée du pain

La levée du pain prépare la pâte pour la cuisson en activant la levure. Suivre les instructions de la recette comme guide.

Pour faire lever la pâte :

Avant la première levée de pain, placer la pâte dans un saladier légèrement graissé et couvrir sans serrer avec du papier ciré recouvert de shortening. Placer la grille en position 2 et fermer la porte du four.

1. Appuyer sur PROOF (levée du pain) pour le four désiré.
2. Appuyer sur START (mise en marche) pour le four désiré.
Laisser la pâte lever jusqu'à ce qu'elle ait presque doublé de volume. La durée de levée du pain peut varier en fonction du type de pâte et de la quantité.
3. Appuyer sur CANCEL (annulation) pour le four désiré après avoir terminé la levée.

Avant la seconde levée, mettre la pâte en forme, la placer sur la ou les plaques de cuisson et couvrir partiellement. Reprendre le même positionnement et vérifier que les étapes ci-dessus ont bien été suivies. Avant la cuisson au four, retirer la pellicule protectrice.

REMARQUE : Si la température du four est supérieure à 110°F (43°C), l'affichage indique "Refroid four" jusqu'à ce que la température soit inférieure à 110°F (43°C). De mauvais résultats peuvent se produire si la pâte est placée dans le four à une température inférieure à 110 °F (43 °C).

Sonde thermométrique

La sonde thermométrique mesure précisément la température interne de la viande, de la volaille et des mets en sauce liquides et doit être utilisée pour déterminer le degré de cuisson de la viande et de la volaille. La sonde thermométrique doit être utilisée uniquement avec les fonctions Bake (cuisson au four), Convect Bake (cuisson au four par convection) ou Convect Roast (rôtissage par convection).

Toujours débrancher et retirer la sonde thermométrique du four lorsqu'on retire les aliments.

Utilisation

Avant de l'utiliser, insérer la sonde à l'intérieur de l'aliment. Pour les viandes, l'extrémité de la sonde doit se trouver au centre de la partie la plus épaisse de la viande et non dans le gras ou au contact d'un os. Placer les aliments dans le four et connecter la sonde thermométrique à la prise. Maintenir la sonde aussi loin que possible de la source de chaleur. Fermer la porte du four.

REMARQUE : On doit insérer la sonde thermométrique dans l'aliment avant de sélectionner le mode souhaité. Consulter la section "Guide des fonctions" pour connaître les températures permises et par défaut utilisées dans cette section.

1. Appuyer sur les touches numériques pour programmer une température pour la sonde. La température de la sonde correspond à la température interne désirée une fois que l'aliment est cuit.
2. Appuyer sur BAKE (cuisson au four), CONVECT BAKE (cuisson au four par convection) ou CONVECT ROAST (rôtissage par convection) pour le four désiré.
3. Utiliser les touches numériques pour régler la température. Si la température entrée ne se trouve pas dans la fourchette des températures autorisées, la température par défaut s'affiche et un signal sonore se fera entendre. Entrer une température dans la fourchette autorisée.
4. Appuyer sur START (mise en marche) pour le four désiré.
5. Appuyer sur la touche CANCEL (annulation) pour le four désiré après avoir terminé.

Pour modifier la température de la sonde durant un programme de cuisson, appuyer sur BAKE (cuisson au four), CONVECT BAKE (cuisson au four par convection) ou CONVECT ROAST (rôtissage par convection) pour le four désiré, et puis répéter les étapes 1 à 4.

Durée de cuisson

AVERTISSEMENT

Risque d'empoisonnement alimentaire

Ne pas laisser des aliments dans un four plus d'une heure avant ou après la cuisson.

Le non-respect de cette instruction peut causer un empoisonnement alimentaire ou une maladie.

Consulter la section "Guide des fonctions" pour connaître les températures permises et par défaut utilisées dans cette section.

Réglage d'une durée de cuisson :

1. Appuyer sur le bouton pour obtenir n'importe quelle fonction de cuisson.
2. Utiliser les touches numériques pour régler la température. Si la température entrée ne se trouve pas dans la fourchette des températures autorisées, la température par défaut s'affiche et un signal sonore se fera entendre. Entrer une température dans la fourchette autorisée.
3. Appuyer sur COOK TIME (durée de cuisson) pour le four désiré.
4. Appuyer sur les touches numériques pour entrer la durée de cuisson.
5. Appuyer sur START (mise en marche) pour le four désiré. La minuterie commencera son décompte une fois le préchauffage terminé.
6. Appuyer sur le bouton CANCEL (annulation) pour le four désiré pour effacer l'affichage du four.

Réglage d'une durée de cuisson et l'heure d'arrêt :

REMARQUE : Cette fonction n'est pas disponible en cuisson par convection ou en grillade par convection si la fonction de conversion temps/température de convection est utilisée.

1. Appuyer sur le bouton pour obtenir n'importe quelle fonction de cuisson.
2. Utiliser les touches numériques pour régler la température. Si la température entrée ne se trouve pas dans la fourchette des températures autorisées, la température par défaut s'affiche et un signal sonore se fera entendre. Entrer une température dans la fourchette autorisée.
3. Appuyer sur COOK TIME (durée de cuisson) pour le four désiré.
4. Appuyer sur les touches numériques pour entrer la durée de cuisson.
5. Appuyer sur STOP TIME (heure d'arrêt) pour le four désiré.
6. Appuyer sur les touches numériques pour entrer l'heure d'arrêt.
7. Appuyer sur START (mise en marche) pour le four désiré. L'heure de mise en marche est calculée et affichée automatiquement. Lorsque l'heure de mise en marche est atteinte, le four s'allume automatiquement. Lorsque l'heure d'arrêt est atteinte, le four s'arrête automatiquement.
8. Appuyer sur le bouton CANCEL (annulation) pour le four désiré pour effacer l'affichage du four.

ENTRETIEN DU FOUR

Programme d'autonettoyage

AVERTISSEMENT



Risque de brûlures

Ne pas toucher le four au cours du programme d'autonettoyage.

Garder les enfants loin du four au cours du programme d'autonettoyage.

Le non-respect de ces instructions peut causer des brûlures.

IMPORTANT : La santé de certains oiseaux est très sensible aux émanations qui surviennent durant le programme d'autonettoyage. L'exposition aux émanations peut entraîner la mort de certains oiseaux. Toujours déplacer les oiseaux dans une autre pièce fermée et bien aérée.

Veiller à ce que la cuisine soit bien aérée pendant le programme d'autonettoyage afin d'aider à éliminer la chaleur, les odeurs et la fumée.

Ne pas obstruer l'évent (ou les événements) du four durant le programme d'autonettoyage. L'air doit pouvoir circuler librement. Selon votre modèle, voir la section "Évent du four" ou "Événements du four".

Ne pas nettoyer, frotter, endommager ou déplacer le joint d'étanchéité de la porte du four.

Préparation du four :

- Retirer du four la lèchefrite, la grille, les ustensiles de cuisine et de cuisson au four, les grilles du four et le papier aluminium et, sur certains modèles, la sonde de cuisson.
- À l'aide d'un chiffon humide, nettoyer le bord de l'intérieur de la porte et une zone de 1½" (38 mm) sur le pourtour du cadre de la cavité du four, en prenant soin de ne pas déplacer ni plier le joint d'étanchéité.
- Essuyer toute saleté décollée afin de réduire la fumée et d'éviter les dommages. À des températures élevées, les aliments réagissent avec la porcelaine. Cette réaction peut causer des taches, des attaques, des piqûres ou de légères taches blanches. Ceci n'affectera pas la performance de cuisson.

IMPORTANT :

- Fours doubles uniquement : On ne peut nettoyer qu'un seul four à la fois.

Comment fonctionne le programme

IMPORTANT : Le chauffage et le refroidissement de la porcelaine sur l'acier dans le four peuvent causer une décoloration, une perte de lustre, des fissures minuscules et des craquements.

Le programme d'autonettoyage utilise des températures très élevées, brûlant les saletés pour les réduire en cendres.

Lorsque le four a complètement refroidi, retirer la cendre avec un chiffon humide. Pour éviter de briser le verre, ne pas appliquer de chiffon humide froid sur le verre intérieur de la porte avant que le four n'ait complètement refroidi.

La lampe du four ne fonctionne pas durant le programme d'autonettoyage.

Pour arrêter le programme d'autonettoyage, appuyer sur la touche CANCEL (arrêt/annulation) du four sélectionné. Si la température est trop élevée, la porte reste verrouillée.

Avant l'autonettoyage, s'assurer que la porte est complètement fermée sinon elle ne se verrouillera pas et le programme d'autonettoyage ne commencera pas.

REMARQUE : Il doit s'écouler un délai de 12 heures avant le début du prochain cycle d'auto-nettoyage; dans le cas des fours doubles seulement : un seul four peut utiliser le cycle d'auto-nettoyage à la fois.

Le four est pré-réglé pour un programme d'autonettoyage de 4 heures, 30 minutes, mais la durée peut être modifiée. Les durées de nettoyage suggérées sont de 3 heures, 30 minutes pour un niveau de saleté léger et entre 4 heures, 30 minutes et 5 heures, 30 minutes pour un niveau de saleté entre moyen et élevé.

Utiliser le tableau ci-dessous comme guide pour déterminer le niveau de nettoyage désiré.

Niveau de nettoyage	Durée de nettoyage totale (comprend 30 minutes de temps de refroidissement)
1 (Rapide)	3 heures 30 minutes
2 (Rég)	4 heures 30 minutes
3 (Max)	5 heures 30 minutes

Autonettoyage :

1. Fermer la porte du four et appuyer sur SELF CLEAN (autonettoyage) pour le four désiré jusqu'à ce que la durée de nettoyage souhaitée s'affiche.
2. Appuyer sur START (mise en marche).
La porte du four se verrouille automatiquement.
Lorsque le programme d'autonettoyage est terminé et que le four est froid, la porte du four se déverrouille.
3. Appuyer sur CANCEL (annulation) pour le four désiré.
4. Lorsque le four a complètement refroidi, retirer la cendre avec un chiffon humide.

Pour différer l'autonettoyage :

1. Fermer la porte du four et appuyer sur SELF CLEAN (autonettoyage) pour le four désiré jusqu'à ce que la durée de nettoyage souhaitée s'affiche.
2. Appuyer sur STOP TIME (heure d'arrêt).
3. Appuyer sur les touches numériques pour entrer l'heure d'arrêt.
4. Appuyer sur START (mise en marche).
L'heure de mise en marche et d'arrêt est calculée automatiquement.
La porte se verrouille automatiquement lorsque le temps de départ est atteint.
Lorsque le programme d'autonettoyage est terminé et que le four est froid, la porte du four se déverrouille.
5. Appuyer sur CANCEL (annulation) pour le four désiré.
6. Lorsque le four a complètement refroidi, retirer la cendre avec un chiffon humide.

Nettoyage général

IMPORTANT : Avant le nettoyage, s'assurer que toutes les commandes sont éteintes et que le four est froid. Toujours suivre les instructions figurant sur les étiquettes des produits de nettoyage. Pour des informations complémentaires, vous pouvez consulter la section Service à la clientèle de notre site Web sur www.whirlpool.ca.

Du savon, de l'eau et un chiffon doux ou une éponge sont recommandés sauf indication contraire.

SURFACES EXTERNES EN ÉMAIL VITRIFIÉ

(sur certains modèles)

Les renversements d'aliments contenant des produits acides, tels que vinaigre et tomates, doivent être nettoyés dès que le four a refroidi. Ces renversements peuvent affecter le fini.

Méthode de nettoyage :

- Nettoyant à vitre, nettoyant doux liquide ou tampon à récurer non abrasif :
Nettoyer doucement autour de la plaque signalétique car le frottement pourrait en effacer les chiffres.
- Nettoyant pour cuisine et appareils électroménagers affresh®, pièce numéro W10355010 (non inclus) :
Voir la section "Accessoires" pour plus de renseignements.

ACIER INOXYDABLE (sur certains modèles)

REMARQUE : Afin d'éviter d'endommager les surfaces en acier inoxydable, ne pas utiliser de tampons à récurer savonneux, de nettoyants abrasifs, de tampons en laine d'acier, de chiffons de lavage rudes ou essuie-tout abrasifs. Les surfaces en acier inoxydables pourraient subir des dommages, même pour une seule utilisation ou en cas d'utilisation limitée.

Méthode de nettoyage :

Frotter dans la direction du grain pour éviter les dommages.

- Nettoyant pour acier inoxydable affresh®, pièce numéro W10355016 :
Voir la section "Accessoires" pour plus de renseignements.

PEINTURE MÉTALLIQUE (sur certains modèles)

Ne pas utiliser de nettoyants abrasifs, de nettoyants avec agent de blanchiment, de produits antirouille, d'ammoniaque ou d'hydroxyde de sodium (soude) car la surface peinte pourrait se tacher.

TABLEAU DE COMMANDE ET EXTÉRIEUR DE LA PORTE DU FOUR

Afin d'éviter d'endommager le tableau de commande, ne pas utiliser de nettoyants abrasifs, de tampons en laine d'acier, de chiffons de lavage rugueux ou d'essuie-tout abrasifs.

Méthode de nettoyage :

- Nettoyant à vitre et chiffon doux ou éponge :
Appliquer le nettoyant à vitre sur un chiffon doux ou une éponge, et non pas directement sur le tableau.
- Nettoyant pour cuisine et appareils électroménagers affresh®, pièce numéro W10355010 (non inclus) :
Voir la section "Accessoires" pour plus de renseignements.

GRILLES DU FOUR

Méthode de nettoyage :

- Tampon en laine d'acier.
- Si les grilles sont ternies et glissent difficilement, appliquer une légère couche d'huile végétale sur les glissières pour faciliter le glissement des grilles.

CAVITÉ DU FOUR

Ne pas utiliser de nettoyants à four.

Les renversements alimentaires doivent être nettoyés lorsque le four a refroidi. À des températures élevées, les aliments réagissent avec la porcelaine et cette réaction peut entraîner la formation de taches, d'un film de silice, de piqûres ou de légères taches blanches.

Méthode de nettoyage :

- Programme d'autonettoyage :
Voir d'abord "Programme d'autonettoyage".

Lampes du four

Les lampes du four sont des ampoules à halogène de 120 volts, 40 watts maximum. Avant de procéder au remplacement, s'assurer que le four est froid et que les commandes sont désactivées.

Remplacement :

1. Déconnecter la source de courant électrique.
2. Ôter le couvercle en verre de la lampe en saisissant le bord avant et en tirant pour l'écartier du four.
3. Ôter l'ampoule de la douille.
4. Remplacer l'ampoule en la manipulant avec un mouchoir de papier ou des gants de coton. Pour éviter d'endommager ou de réduire la longévité de l'ampoule neuve, ne pas toucher l'ampoule avec les doigts nus.
5. Réinstaller le couvercle de l'ampoule en l'emboîtant dans la paroi.
6. Reconnecter la source de courant électrique.

RÉSOLUTION DE PROBLÈMES

Essayer d'abord les solutions suggérées ici. Pour obtenir de l'aide ou des conseils qui permettront peut-être d'éviter une intervention de dépannage, consulter la page de garantie de ce manuel et scanner le code QR avec votre appareil intelligent, ou consultez le site Internet <http://www.whirlpool.ca>.

Vous pouvez adresser tous commentaires ou questions par courrier à l'adresse ci-dessous :

Au Canada :

Whirlpool Brand Home Appliances
Customer eXperience Centre
200 - 6750 Century Ave.
Mississauga, Ontario L5N 0B7

Dans votre correspondance, veuillez indiquer un numéro de téléphone où l'on peut vous joindre dans la journée.

Problème	Causes et/ou solutions possibles
Rien ne fonctionne	Le four n'est pas bien câblé : Se reporter aux Instructions d'installation. Un fusible du domicile est grillé ou un disjoncteur s'est ouvert : Remplacer le fusible ou réarmer le disjoncteur. Si le problème persiste, appeler un électricien.
Le four ne fonctionne pas	La mise en marche différée est activée : Voir la section "Durée de cuisson". Les commandes sont verrouillées : Appuyer sur la touche START (mise en marche) pendant 3 secondes pour les déverrouiller. Réglage incorrect des commandes électroniques du four : Voir la section "Commandes électroniques du four". Le mode Sabbat est activé : Voir la section "Mode Sabbat". Sur les fours doubles seulement, une cavité de four est en mode d'autonettoyage : Lorsqu'un four effectue un programme d'autonettoyage, l'autre four ne peut être ni réglé, ni allumé.
La température du four est trop élevée ou trop basse	La température du four doit être ajustée : Voir "Commande de température du four" dans la section "Commandes électroniques du four".
Des messages s'affichent	Panne de courant (l'afficheur indique une heure clignotante) : Appuyer sur CANCEL (annulation) pour effacer l'affichage. Sur certains modèles, régler de nouveau l'horloge au besoin. Voir la fonction de la touche "Settings/Clock" (réglages/horloge) à la section "Guide des caractéristiques". Code d'erreur (l'afficheur indique une lettre suivie d'un numéro) : Appuyer sur CANCEL (annulation) pour effacer l'affichage. Voir "Affichage des commandes" dans la section "Commandes électroniques du four". S'il réapparaît, appeler le service de dépannage. Voir la section "Garantie" pour des renseignements de contact.
Le programme de nettoyage n'a pas éliminé toutes les salissures	Plusieurs programmes de cuisson entre les programmes de nettoyage ou éclaboussures sur les parois et la porte du four : Lancer des programmes de nettoyage supplémentaires. Pour les salissures tenaces, utiliser le nettoyant pour cuisine et appareils ménagers affresh®. Voir la section "Accessoires" et "Programme d'autonettoyage" pour plus de renseignements.
De l'air chaud sort de l'évent du four	Il est normal que de l'air chaud sorte de l'évent du four. Durant un programme d'autonettoyage, le débit d'air augmente. Le ventilateur de refroidissement peut fonctionner aussi bien durant un programme du four qu'après la fin du programme, ce qui évacue l'air chaud par l'évent du four.
Le ventilateur de convection fonctionne pendant la fonction de cuisson au four	Il est normal que le ventilateur de convection et l'élément de convection se mettent en marche durant la fonction de cuisson au four pour améliorer la performance et la distribution de chaleur.
Longues durées de préchauffage	Certains programmes ne nécessitent pas de préchauffage. Voir les instructions de programme pour connaître les recommandations en ce qui concerne le préchauffage. La plupart des programmes préchauffent à 350°F (177°C) en 12 à 17 minutes. Cette durée augmente pour des températures plus élevées. Pour réduire la durée de préchauffage, on peut retirer les grilles inutilisées avant de préchauffer le four.
Le programme d'autonettoyage ne fonctionne pas	La porte du four est ouverte : Fermer complètement la porte du four. La fonction n'a pas été entrée : Voir la section "Programme d'autonettoyage". Un programme d'autonettoyage minuté a été réglé : Voir la section "Programme d'autonettoyage". Une durée de cuisson a été réglée : Voir la section "Cuisson minutée". Sur les fours doubles seulement, une cavité de four est en mode d'autonettoyage : Lorsqu'un four effectue un programme d'autonettoyage, l'autre four ne peut être ni réglé.

Problème	Causes et/ou solutions possibles
<p>La cuisson au four ne produit pas les résultats prévus</p>	<p>Le réglage de la température était incorrect : Revérifier la recette dans un livre de cuisine fiable.</p> <p>La température du four doit être ajustée : Voir “Commande de température du four” dans la section “Commandes électroniques du four”.</p> <p>Le four n’a pas été préchauffé : Voir la section “Cuisson au four et rôtissage”.</p> <p>Les grilles n’étaient pas placées correctement : Voir la section “Positionnement des grilles et ustensiles de cuisson au four”.</p> <p>Circulation d’air déficiente autour des ustensiles de cuisson : Voir la section “Positionnement des grilles et ustensiles de cuisson au four”.</p> <p>Répartition irrégulière de la pâte dans le plat : Vérifier que la pâte est répartie uniformément dans le plat.</p> <p>Brunissement excessif des aliments causé par un plat à four terne ou foncé : Diminuer la température du four de 25°F (15°C) ou placer la grille plus haut dans le four.</p> <p>Brunissement insuffisant des aliments causé par un plat à four brillant ou clair : Placer la grille plus bas dans le four.</p> <p>Durée de cuisson incorrecte : Revoir la durée de cuisson.</p> <p>Porte du four non fermée : Vérifier que le plat à four n’empêche pas la fermeture de la porte.</p> <p>La porte du four a été ouverte durant la cuisson : L’ouverture de la porte pour vérifier la cuisson laisse échapper la chaleur du four et peut allonger la durée de cuisson.</p> <p>La grille est trop proche du brûleur de cuisson au four, ce qui brunit trop le fond des aliments cuits au four : Placer la grille plus haut dans le four.</p> <p>Les croûtes des tartes brunissent trop vite : Recouvrir de papier d’aluminium le périmètre de la croûte et/ou réduire la température de cuisson du four.</p>

ACCESSOIRES

Pour les accessoires, consulter notre site Web www.whirlpool.ca ou nous contacter au 1-800-807-6777.

Chiffons pour acier inoxydable affresh®

(modèles en acier inoxydable)

Commander la pièce numéro W10355049

Nettoyant pour acier inoxydable affresh®

(modèles en acier inoxydable)

Commander la pièce numéro W10355016

Nettoyant pour cuisine et appareils ménagers affresh®

Commander la pièce numéro W10355010

Lèchefrite et grille de rôtissage de qualité supérieure

Commander la pièce numéro W10123240

Lèchefrite et grille en porcelaine

Commander la pièce numéro 4396923

Grill de four plate standard

Commander la pièce numéro W10317430

Grille déployante

Commander la pièce numéro W10745649

GARANTIE LIMITÉE DES GROS APPAREILS MÉNAGERS WHIRLPOOL®

ATTACHEZ ICI VOTRE REÇU DE VENTE. UNE PREUVE D'ACHAT EST OBLIGATOIRE POUR OBTENIR L'APPLICATION DE LA GARANTIE.

Lorsque vous appelez le centre d'expérience de la clientèle, veuillez garder à disposition les renseignements suivants :

- Nom, adresse et numéro de téléphone
- Numéros de modèle et de série
- Une description claire et détaillée du problème rencontré
- Une preuve d'achat incluant le nom et l'adresse du marchand ou du détaillant

SI VOUS AVEZ BESOIN DE SERVICE :

1. Avant de nous contacter pour obtenir un dépannage, veuillez déterminer si des réparations sont nécessaires pour votre produit. Certains problèmes peuvent être résolus sans intervention de dépannage. Prenez quelques minutes pour parcourir la section Dépannage ou Résolution de problèmes du guide d'utilisation et d'entretien, scannez le code QR ci-contre avec votre téléphone intelligent pour accéder à des ressources supplémentaires, ou rendez-vous sur le site <http://www.whirlpool.ca>.
2. Tout service sous garantie doit être effectué exclusivement par nos fournisseurs de dépannage autorisés Whirlpool. Aux É.-U. et au Canada, dirigez toutes vos demandes de service sous garantie au



<http://www.whirlpool.ca>

Centre d'expérience de la clientèle Whirlpool

Aux É.-U., composer le 1-800-253-1301. Au Canada, composer le 1-800-807-6777.

Si vous résidez à l'extérieur du Canada et des 50 États des États-Unis, contactez votre marchand Whirlpool autorisé pour déterminer si une autre garantie s'applique.

GARANTIE LIMITÉE DE UN AN

CE QUI EST COUVERT

Pendant un an à compter de la date d'achat, lorsque ce gros appareil ménager est installé, utilisé et entretenu conformément aux instructions jointes à ou fournies avec le produit, Whirlpool Corporation ou Whirlpool Canada, LP (ci-après désignées "Whirlpool") décidera à sa seule discrétion de remplacer le produit ou de couvrir le coût des pièces spécifiées par l'usine et de la main-d'œuvre nécessaires pour corriger les vices de matériaux ou de fabrication qui existaient déjà lorsque ce gros appareil ménager a été acheté. S'il est remplacé, l'appareil sera couvert pour la période restant à courir de la garantie limitée d'un an du produit d'origine.

LE SEUL ET EXCLUSIF RECOURS DU CLIENT DANS LE CADRE DE LA PRÉSENTE GARANTIE LIMITÉE CONSISTE EN LA RÉPARATION PRÉVUE PAR LA PRÉSENTE. Le service doit être fourni par une compagnie de service désignée par Whirlpool. Cette garantie limitée est valide uniquement aux États-Unis ou au Canada et s'applique exclusivement lorsque le gros appareil ménager est utilisé dans le pays où il a été acheté. La présente garantie limitée est valable à compter de la date d'achat initial par le consommateur. Une preuve de la date d'achat initial est exigée pour obtenir un dépannage dans le cadre de la présente garantie limitée.

CE QUI N'EST PAS COUVERT

1. Usage commercial, non résidentiel ou par plusieurs familles, ou non-respect des instructions de l'utilisateur, de l'opérateur ou des instructions d'installation.
2. Visite d'instruction à domicile pour montrer à l'utilisateur comment utiliser l'appareil.
3. Visites de service pour rectifier une installation ou un entretien fautifs du produit, une installation non conforme aux codes d'électricité ou de plomberie, ou la rectification de l'installation électrique ou de la plomberie du domicile (ex : câblage électrique, fusibles ou tuyaux d'arrivée d'eau du domicile).
4. Pièces consommables (ex : ampoules, batteries, filtres à air ou à eau, solutions de conservation, etc.).
5. Défauts ou dommage résultant de l'utilisation de pièces ou accessoires Whirlpool non authentiques.
6. Conversion de votre produit du gaz naturel ou du gaz de pétrole liquéfié.
7. Dommages causés par : accident, mésusage, abus, incendie, inondations, catastrophe naturelle ou l'utilisation de produits non approuvés par Whirlpool.
8. Réparations aux pièces ou systèmes dans le but de rectifier un dommage ou des défauts résultant d'une réparation, altération ou modification non autorisée faite à l'appareil.
9. Défauts d'apparence, notamment les éraflures, traces de choc, fissures ou tout autre dommage subi par le fini de l'appareil ménager, à moins que ces dommages ne résultent de vices de matériaux ou de fabrication et ne soient signalés à Whirlpool dans les 30 jours suivant la date d'achat.
10. Décoloration, rouille ou oxydation des surfaces résultant d'environnements caustiques ou corrosifs incluant des concentrations élevées de sel, un haut degré d'humidité ou une exposition à des produits chimiques (exemples non exhaustifs).
11. Perte d'aliments ou de médicaments due à la défaillance du produit.
12. Enlèvement ou livraison. Ce produit est conçu pour être réparé à l'intérieur du domicile.
13. Frais de déplacement et de transport pour le dépannage/la réparation dans une région éloignée où une compagnie de service Whirlpool autorisée n'est pas disponible.
14. Retrait ou réinstallation d'appareils inaccessibles ou de dispositifs préinstallés (ex : garnitures, panneaux décoratifs, plancher, meubles, îlots de cuisine, plans de travail, panneaux de gypse, etc.) qui entravent le dépannage, le retrait ou le remplacement du produit.
15. Service et pièces pour des appareils dont les numéros de série et de modèle originaux ont été enlevés, modifiés ou ne peuvent pas être facilement identifiés.

Le coût d'une réparation ou d'un remplacement dans le cadre de ces circonstances exclues est à la charge du client.

CLAUSE D'EXONÉRATION DE RESPONSABILITÉ AU TITRE DES GARANTIES IMPLICITES

LES GARANTIES IMPLICITES, Y COMPRIS LES GARANTIES APPLICABLES DE QUALITÉ MARCHANDE OU D'APTITUDE À UN USAGE PARTICULIER, SONT LIMITÉES À UN AN OU À LA PLUS COURTE PÉRIODE AUTORISÉE PAR LA LOI. Certains États et provinces ne permettent pas de limitation sur la durée des garanties implicites de qualité marchande ou d'aptitude à un usage particulier, de sorte que la limitation ci-dessus peut ne pas être applicable dans votre cas. Cette garantie vous confère des droits juridiques spécifiques et vous pouvez également jouir d'autres droits qui peuvent varier d'une juridiction à l'autre.

EXONÉRATION DE RESPONSABILITÉ DANS LES DOMAINES NON COUVERTS PAR LA GARANTIE

Whirlpool décline toute responsabilité au titre de la qualité, de la durabilité ou en cas de dépannage ou de réparation nécessaire sur ce gros appareil ménager autre que les responsabilités énoncées dans la présente garantie. Si vous souhaitez une garantie plus étendue ou plus complète que la garantie limitée fournie avec ce gros appareil ménager, adressez-vous à Whirlpool ou à votre détaillant pour obtenir les modalités d'achat d'une garantie étendue.

LIMITATION DES RECOURS; EXCLUSION DES DOMMAGES FORTUITS OU INDIRECTS

LE SEUL ET EXCLUSIF RECOURS DU CLIENT DANS LE CADRE DE LA PRÉSENTE GARANTIE LIMITÉE CONSISTE EN LA RÉPARATION PRÉVUE PAR LA PRÉSENTE. WHIRLPOOL N'ASSUME AUCUNE RESPONSABILITÉ POUR LES DOMMAGES FORTUITS OU INDIRECTS. Certains États et certaines provinces ne permettent pas l'exclusion ou la limitation des dommages fortuits ou indirects de sorte que ces limitations et exclusions peuvent ne pas être applicables dans votre cas. Cette garantie vous confère des droits juridiques spécifiques et vous pouvez également jouir d'autres droits qui peuvent varier d'une juridiction à l'autre.

